

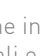



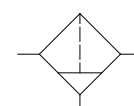


## Copper free aluminum alloy 3/8" - 1/2" NPT filter- F serie

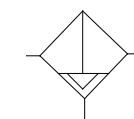
Filtro da 3/8" - 1/2" NPT in lega di alluminio esente rame- serie F

- Suitable to automation equipment, to onshore, offshore, pharmaceutical, medical and food applications
- Full material traceability
- High flow capacity
- ATEX 2014/34/UE  II 2G Ex h IIC T6/T5 Gb X  
II 2D Ex h IIIC T85°C/T100°C Db X
-  &  approved /IP66

- Adatto per automazione in applicazioni marine, petrolchimiche, farmaceutiche, medicali e alimentari.
- Completa rintracciabilità dei materiali
- Elevate portate
- ATEX 2014/34/UE  II 2G Ex h IIC T6/T5 GbX  
II 2D Ex h IIIC T85°C/T100°C Db X
- Approvato  ed  / IP66



Manual Drain



Automatic Drain

<b>Media / Fluido</b>	<b>Compressed air, inert gases, sweet and sour gases</b>
<b>Port thread / Connessioni</b>	<b>3/8"-1/2" NPT</b>
<b>Gauge Connection</b> Connessione manometro	<b>1/8"NPT (1/4"NPT option)</b>
<b>Filtering element</b> Elemento filtrante	<b>Coalescing or 3, 5, 25, 40 micron in st. st. 316</b>
<b>Max inlet pressure</b> Pressione massima di ingresso	<b>25bar (16bar automatic drain version)</b>
<b>Drain valve / Scarico condensa</b>	<b>manual or automatic</b>
<b>Flow Rate (@6 bar Inlet pressure, delta P=0.5bar)/ Portata</b>	<b>1/2" - 4815dm3/min Cv=6,6</b>
<b>Working Temperature</b> Temperatura di esercizio	<b>-20°C up to 80°C (NBR); -25°C up to 90°C (FKM); -40°C up to 80°C (EPDM); -60° up to 90°C (FVMQ)*</b>

Air supply must be dry enough to avoid ice formation at temperatures below +2°C (+35°F).

\*Special version in HNBR (WT -60°C + 90°C)

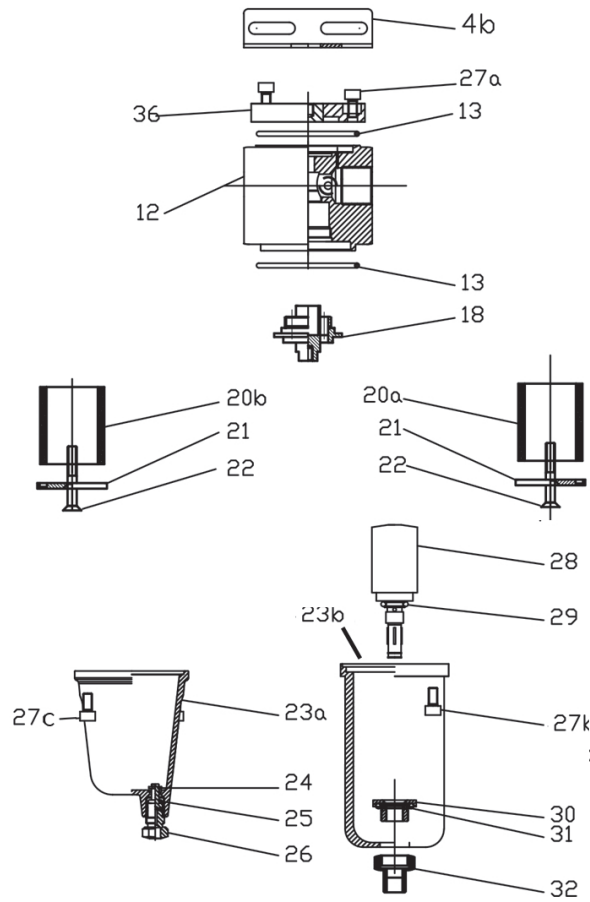
**It provides excellent filtration for a wide range of applications. Rugged and corrosion-resistant – made of copper free aluminium alloy and AISI304/316 stainless steel. Compact small package size /** Permette una filtrazione accurata per una vasta gamma di applicazioni. Robusto e resistente alla corrosione – Costruito in lega di alluminio esente rame tropicalizzata e SS304/316. Dimensioni di ingombro ridotte

<b>BUILDING MATERIALS</b>	Materiali costruttivi
<b>Body, bonnet, bowl in tropicalized aluminum</b>	Corpo, coperchio, tazza in lega di alluminio tropicalizzata
<b>Internals, bracket, lock and panel nuts, fixing screws in stainless steel</b>	Particolari interni, staffa, dadi di bloccaggio a pannello, viti di fissaggio in acciaio inossidabile
<b>Seals in elastomer</b>	Tenute in elastomero
<b>3, 5, 25 &amp; 40 micron filtering element in AISI316 stainless steel</b>	Elemento filtrante da 3, 5, 25 e 40 micron in acciaio inossidabile AISI316
<b>Coalescing filtering element in bonded micro-fibre</b>	Elemento filtrante a coalescenza in microfibra

Product exploded view

Esploso del prodotto

www.sitecna.eu



Pos.	Q.ty	Description	Descrizione
4b	1	BRACKET F04	STAFFA
12	1	BODY	CORPO
13	2	O-RING	O-RING
18	1	FILTER ELEMENT SUPPORT	SUPPORTO ELE. FILTRANTE
20a	1	FILTER ELEMENT 5 MICRON	ELEMENTO FILTRANTE 5 MIC
20b	1	FILTER ELEMENT 25 MICRON	ELEMENTO FILTRANTE 25 MIC
21	1	FILTER ELEMENT PLUG	BASE ELEMENTO FILTRANTE
22	1	SCREW M5X30	VITE M5X30
23a	1	MANUAL DRAIN BOLW	TAZZA SCARICO MANUALE
23b	1	AUTOMATIC DRAIN BOLW	TAZZA SCARICO AUTOMATICO
24	1	BENZIN	ANELLO BENZIN
25	1	O'RING DRAIN	O'RING DRAIN
26	1	MANUAL DRAIN	SCARICO MANUALE
27a	4	SCREW M5X10	VITI PIATTELLO SPERIORE M5X10
27b	4	SCREW AUTO DRAIN M5X16	VITI SCARICO AUTO M5X16
27c	4	SCREW MAN DRAIN M5X10	VITI SCARICO MANUALE M5X10
28	1	AUTOMATIC DRAIN	SCARICO AUTOMATICO
29	1	O'RING AUTO DRAIN	O'RING SCARICO AUTO
30	1	AUTOMATIC DRAIN SEAT	SEDE SCARICO AUTOMATICO
31	1	O'RING AUTO DRAIN	O'RING SCARICO AUTO
32	1	AUTOMATIC DRAIN SEAT	SEDE SCARICO AUTOMATICO
36	1	FILTER TOP	PIATTELLO SUPERIORE

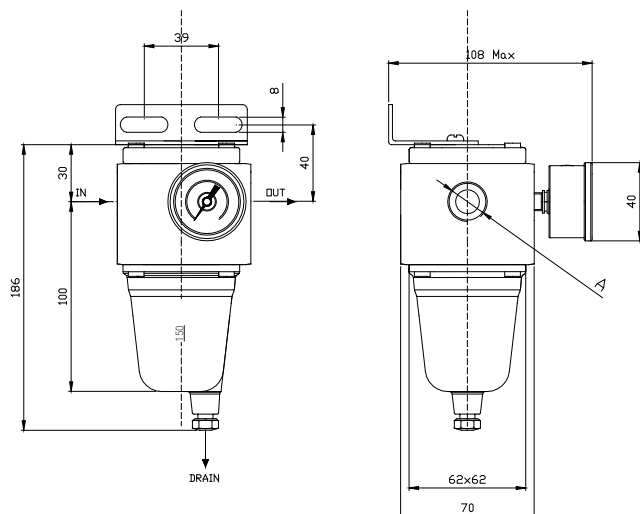
BT-F08AL/C22B

## Overall dimension

Dimensioni di ingombro

### Manual drain

Scarico manuale



F06 A = 3/8"

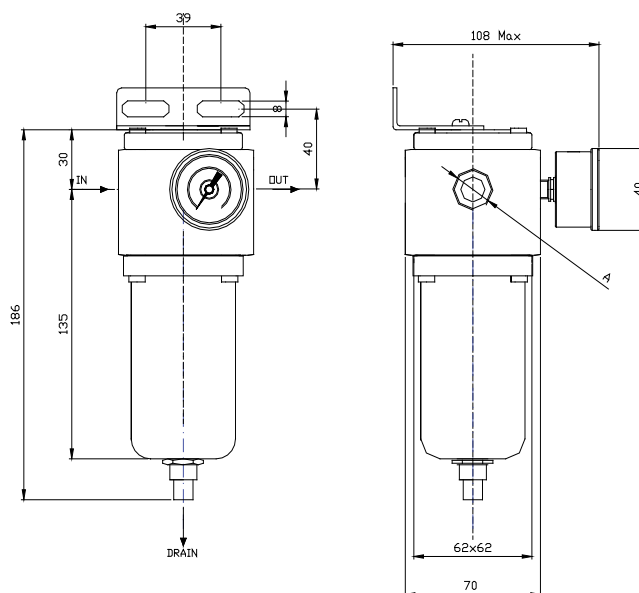
F08 A = 1/2"

### Automatic drain

Scarico automatico

**Note for automatic drain:**  
 - max inlet pressure 16bar  
 - not recommended for  $T < 2^{\circ}\text{C}$

Nota per scarico automatico:  
 - massima pressione di utilizzo 16bar  
 - non raccomandato per  $T < 2^{\circ}\text{C}$



## Accessories and repair kit

Accessori e ricambi

Maintenance kit / Kit manutenzione	Items K-F08-* -AL-**
Pressure gauge DN40mm, all AL Bar+psi+kpa range / Manometro DN40mm, cassa inox, scala Bar+psi+kpa	0-2bar MBSNP4S2PN3S 0-4bar MBSNP4S2PN05 0-10bar MBSNP4S2PN07
Bracket / Staffa	SQ-FR04/S

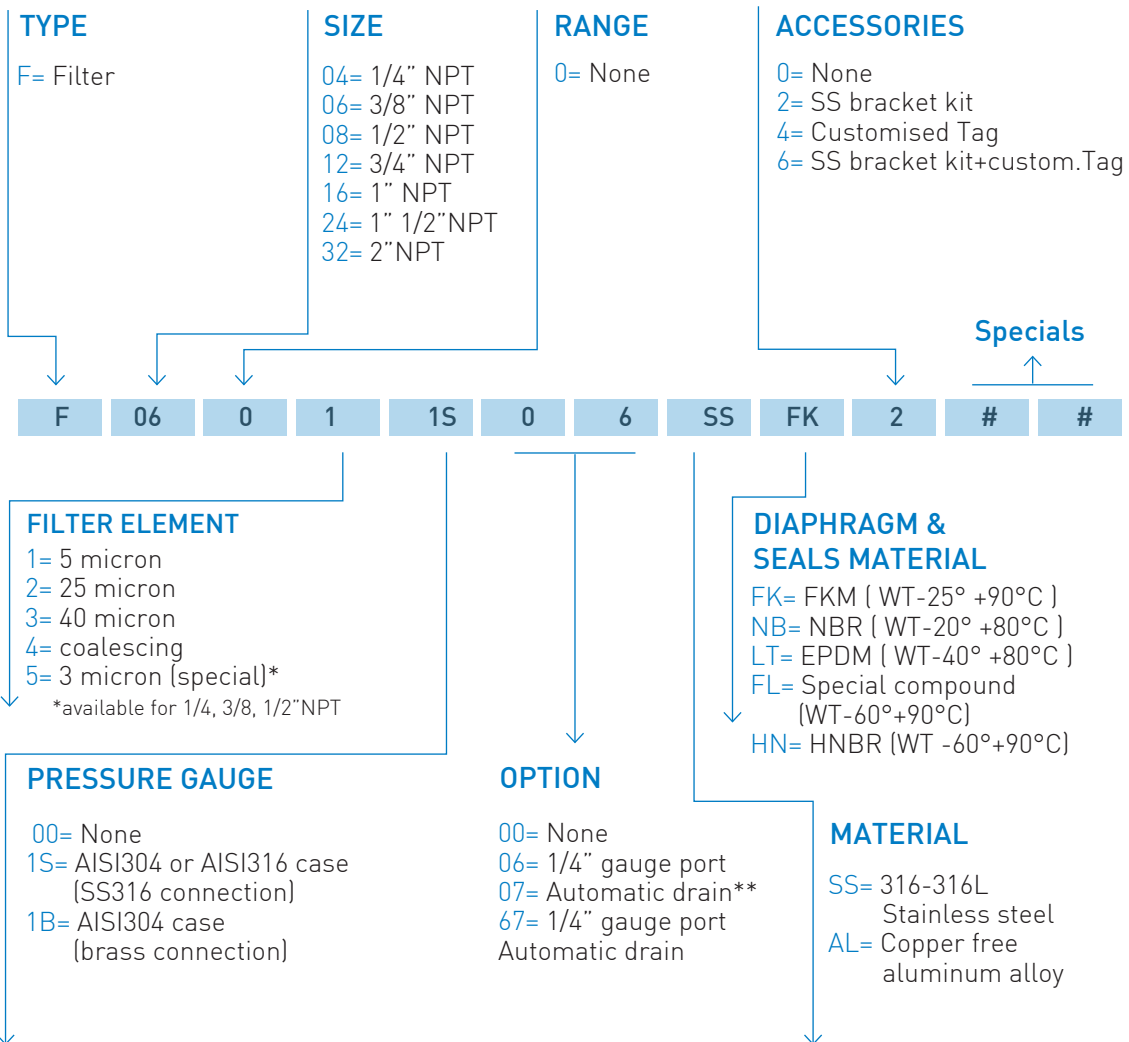
\* Refers to filter element option: 1→5 micron; 2→25 micron; 3→40 micron ; 4→coalescing; 5→3 micron

\*\* Refers to seals type: FK→FKM NB→NBR LT→EPDM FL→FVMQ HN→HNBR

# Ordering information - Filters

## Come ordinare - Filtri

www.sitecna.eu



### CODE EXAMPLES

F	04	0	4	1S	0	0	SS	FK	2		
---	----	---	---	----	---	---	----	----	---	--	--

**1/4" NPT, SS316 filter regulator, with coalescing filtering element, SS pressure gauge, manual drain, ss bracket kit and FKM diaphragm & seals**  
 Filtro da 1/4" NPT in AISI316, elemento filtrante da coalescenza, manometro tutto inox, scarico condensa manuale, staffa inox, diaframma e tenute in FKM

F	32	0	1	00	0	7	AL	NB	0		
---	----	---	---	----	---	---	----	----	---	--	--

**2" NPT, aluminum alloy filter, with 5 micron filtering element, automatic drain and NBR diaphragm & seals**  
 Filtro da 2" NPT in alluminio esente rame, elemento filtrante da 5 micron, scarico condensa automatico, diaframma e tenute in FKM



**\*\* Nota for automatic drain: use not recommended for T < 2°C (under this T the moisture in the medium could freeze and cause drain malfunction or breaking) / Nota per scarico automatico: uso non raccomandato per T < 2°C (sotto questa T la condensa può ghiacciare e causare malfunzionamenti o rotture).**

01-F/22A