







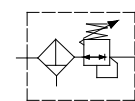


## AISI316L 3/4" - 1"NPT instrument filter regulator – FR serie

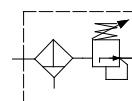
Filtro regolatore da 3/4" – 1"NPT in AISI316L – serie FR

- Suitable for automation equipment to onshore, offshore, pharmaceutical, medical and food applications
- Full material traceability
- Excellent stability and repeatability
- Accurate adjustment and high flow capacity
- ATEX 2014/34/UE  II 2G Ex h IIC T6/T5 Gb X  
II 2D Ex h IIIC T85°C/T100°C Db X
-  &  approved / IP66 / SIL - IEC 61508 

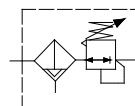
- Adatto per automazione in applicazioni marine, petrolchimiche, farmaceutiche, medicali e alimentari
- Completa rintracciabilità dei materiali
- Eccellente stabilità e ripetibilità
- Precise regolazioni ed elevate portate
- ATEX 2014/34/UE  II 2G Ex h IIC T6/T5 Gb X  
II 2D Ex h IIIC T85°C/T100°C Db X
- Approvato  ed  / IP66 / SIL - IEC 61508 



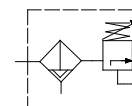
Manual Drain Relieving



Manual Drain Non Relieving



Automatic Drain Relieving



Automatic Drain Non Relieving

|   |   |
|---|---|
| Media / Fluido  | Compressed air, inert gases, sweet and sour gases   |
| Port thread / Connessioni                                       | 3/4" - 1" NPT   |
| Gauge Connection<br>Connessione manometro                       | 1/4" NPT (1/8" NPT option)  |
| Filtering element<br>Elemento filtrante                         | 5, 25, 40 micron in st. st. 316   |
| Max inlet pressure /<br>Pressione massima di ingresso           | 30bar (16bar automatic drain version)   |
| Drain valve/ Scarico condensa                                   | Manual or automatic   |
| Flow rate (@10bar inlet, 6bar regulated, delta P=1bar)/ Portata | 11500dm <sup>3</sup> /min Cv=11.5   |
| Working temperature /<br>Temperatura di esercizio               | -20°C up to 80°C (NBR); -25°C up to 90°C (FKM);<br>-40°C up to 80°C (EPDM); -60° up to 90°C (FVMQ)* |
| Regulated pressure<br>Pressioni regolate                        | 0.2/2, 0.2/4, 0.4/8, 0.4/10, 0.4/12bar  |

Air supply must be dry enough to avoid ice formation at temperatures below +2°C (+35°F).

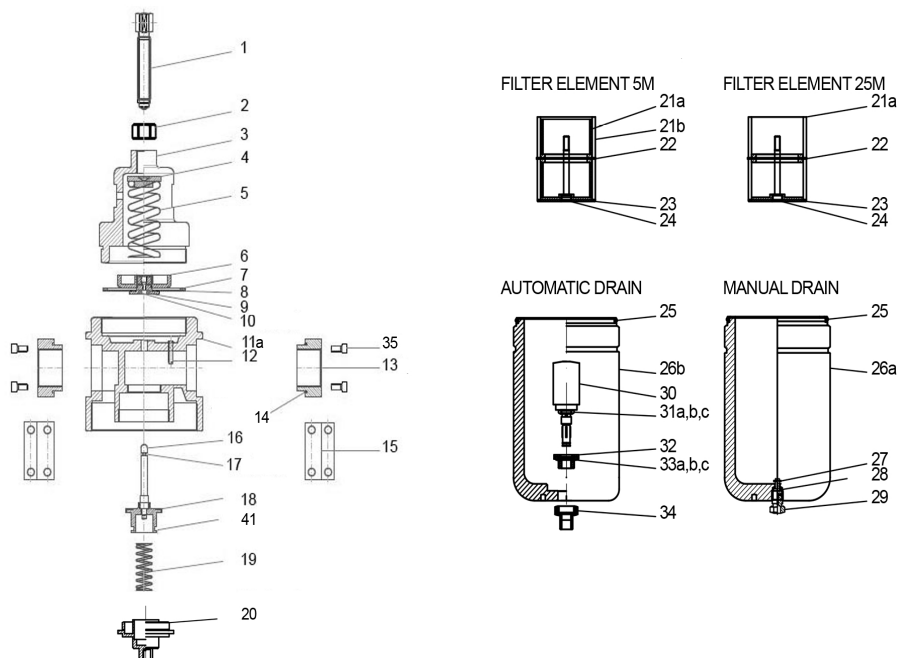
\*Special version in HNBR (WT -60°C + 90°C)

**It provides excellent regulation and filtering for a wide range of applications. Rugged and corrosion-resistant – made of 316L stainless steel / Permette un'accurata regolazione e filtraggio per una vasta gamma di applicazioni. Robusto e resistente alla corrosione – costruito in acciaio inossidabile 316**

| BUILDING MATERIALS  | Materiali costruttivi   |
|---|---|
| Body, bonnet, bowl in AISI 316/316L stainless steel                       | Corpo, coperchio, tazza in acciaio inossidabile AISI316/316L  |
| Internals, bracket, lock and panel nuts, fixing screws in stainless steel | Vite di regolazione, staffa, dadi di bloccaggio e pannello, viti di fissaggio in acciaio inossidabile |
| 5, 25 & 40 micron filtering element in AISI316 SS                         | Elementi filtranti da 5, 25 e 40 micron in AISI316  |
| Diaphragm & seals in elastomer  | Diaframma e guarnizioni in elastomero   |

**Product exploded view**  
Esploso del prodotto

www.sitecna.eu



| Pos. | Q.ty | Description                 | Descrizione                 |
|------|------|-----------------------------|-----------------------------|
| 1    | 1    | ADJUSTMENT SCREW            | VITE DI REGOLAZIONE         |
| 2    | 1    | LOCK ADJUSTMENT NUT         | DADO FISSAGGIO REGOLAZIONE  |
| 3    | 1    | BONNET                      | TAZZA SUPERIORE             |
| 4    | 1    | UPPER SPRING SEAT           | SEDE SUPERIORE MOLLA        |
| 5    | 1    | ADJUSTMENT SPRING           | MOLLA DI REGOLAZIONE        |
| 6    | 1    | LOWER SPRING RESET          | RESET INFERIORE MOLLA       |
| 7    | 1    | SLIP RING                   | SLIP RING                   |
| 8    | 1    | DIAPHRAGM                   | DIAFRAMMA                   |
| 9    | 1    | VALVE SEAT                  | SEDE VALVOLA                |
| 10   | 1    | O'RING (ONLY FOR RELIEVING) | O'RING (SOLO PER RELIEVING) |
| 11a  | 1    | BODY                        | CORPO                       |
| 12   | 1    | SIPHON                      | SIFONE                      |
| 13   | 2    | CONNECTION                  | TERMINALI FILETTATI         |
| 14   | 2    | O'RING                      | O'RING                      |
| 15   | 2    | BRACKET                     | STAFFA                      |
| 16   | 1    | VALVE STEAM                 | CORPO VALVOLA               |
| 17   | 1    | O'RING                      | O'RING                      |
| 18   | 1    | VALVE                       | VALVOLA                     |
| 19   | 1    | VALVE SPRING                | MOLLA VALVOLA               |
| 20   | 1    | FILTER ELEMENT SUPPORT      | SUPPORTO ELE. FILTRANTE     |
| 21a  | 2    | FILTER ELEMENT 5 MICRON     | ELEMENTO FILTRANTE 5 MIC    |
| 21b  | 2    | FILTER ELEMENT 25 MICRON    | ELEMENTO FILTRANTE 25 MIC   |
| 22   | 1    | FILTER ELEMENT RING         | ANELLO ELEMENTO FILTRANTE   |
| 23   | 1    | FILTER ELEMENT PLUG         | FONDELLO ELEMENTO FILTRANTE |
| 24   | 1    | FILTER ELEMENT SCREW        | VITE ELEMENTO FILTRANTE     |
| 25   | 1    | O'RING BOWL                 | O'RING TAZZA                |
| 26a  | 1    | MANUAL DRAIN BOWL           | TAZZA SCARICO MANUALE       |
| 26b  | 1    | AUTOMATIC DRAIN BOWL        | TAZZA SCARICO AUTOMATICO    |
| 27   | 1    | BENZIN                      | ANELLO BENZIN               |
| 28   | 1    | O'RING DRAIN                | O'RING DRAIN                |
| 29   | 1    | MANUAL DRAIN                | SCARICO MANUALE             |
| 30   | 1    | AUTOMATIC DRAIN             | SCARICO AUTOMATICO          |
| 31   | 1    | O'RING AUTO DRAIN           | O'RING SCARICO AUTO         |
| 32   | 1    | AUTOMATIC DRAIN SEAT        | SEDE SCARICO AUTOMATICO     |
| 33   | 1    | O'RING AUTO DRAIN           | O'RING SCARICO AUTO         |
| 34   | 1    | AUTOMATIC DRAIN SEAT        | SEDE SCARICO AUTOMATICO     |
| 35   | 8    | SCREW M5x16 DIN 912 A2      | VITI M5X16                  |

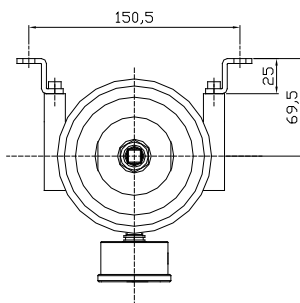
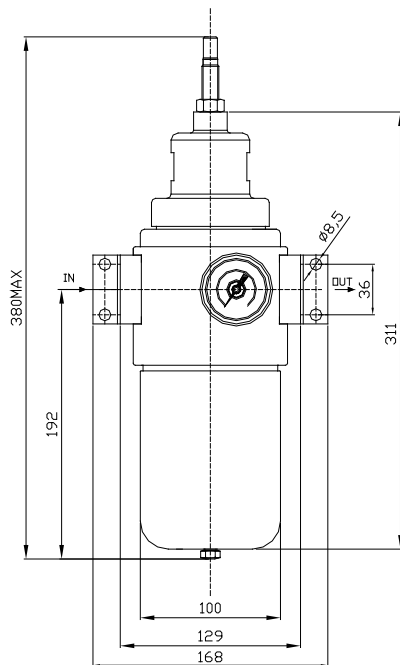
BT-FR16SS/C22B

## Overall dimension

Dimensioni di ingombro

### Manual drain

Scarico manuale

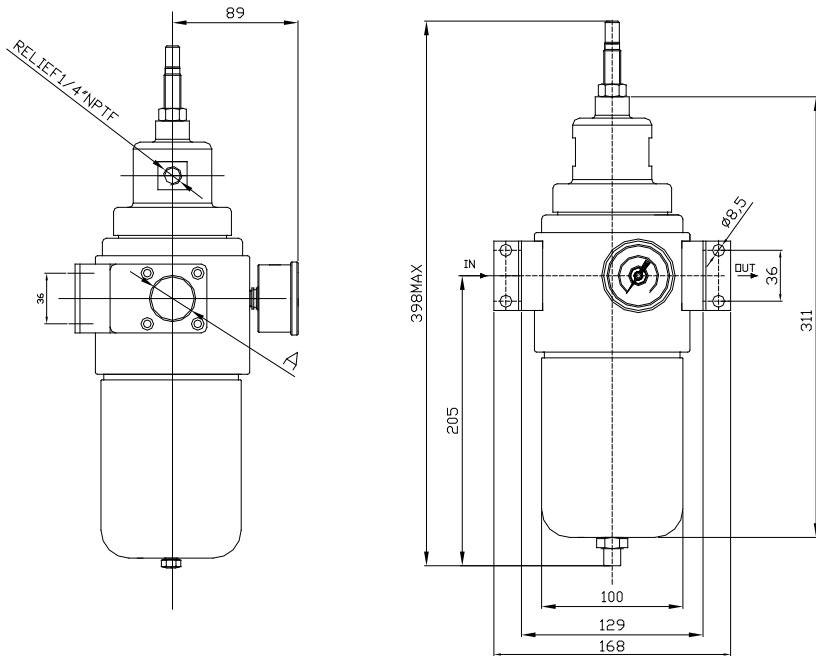


FR12 A = 3/4"

FR16 A = 1"

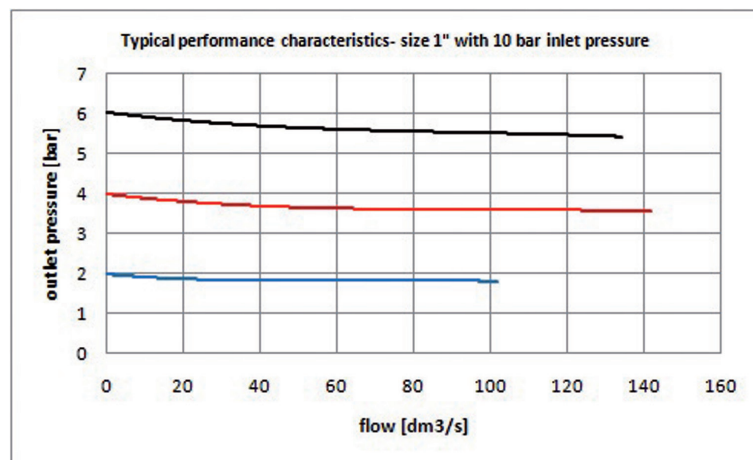
### Automatic drain

Scarico automatico



Note for automatic drain / Nota per scarico automatico:

- max inlet pressure 16bar / massima pressione di utilizzo 16bar
- not recommended for  $T < 2^{\circ}\text{C}$  / non raccomandato per  $T < 2^{\circ}\text{C}$



## Accessories and repair kit

Accessori e ricambi

|  |   |
|--|---|
| Maintenance kit / Kit manutenzione   | K-FR12-0-SS-** [3/4"]<br>K-FR16-0-SS-** [1"]                          |
| Pressure gauge DN40mm, all SS, Bar+psi+kpa range / Manometro DN40mm, tutto inox, scala Bar+psi+kpa | 0-2,5 bar MBS6P4S2PN04<br>0-4bar MBS6P4S2PN05<br>0-10bar MBS6P4S2PN07 |
| Bracket / Staffa   | SQ-FR16   |
| Anti-tamper kit / Kit anti-manomissione  | KTAM04-08   |

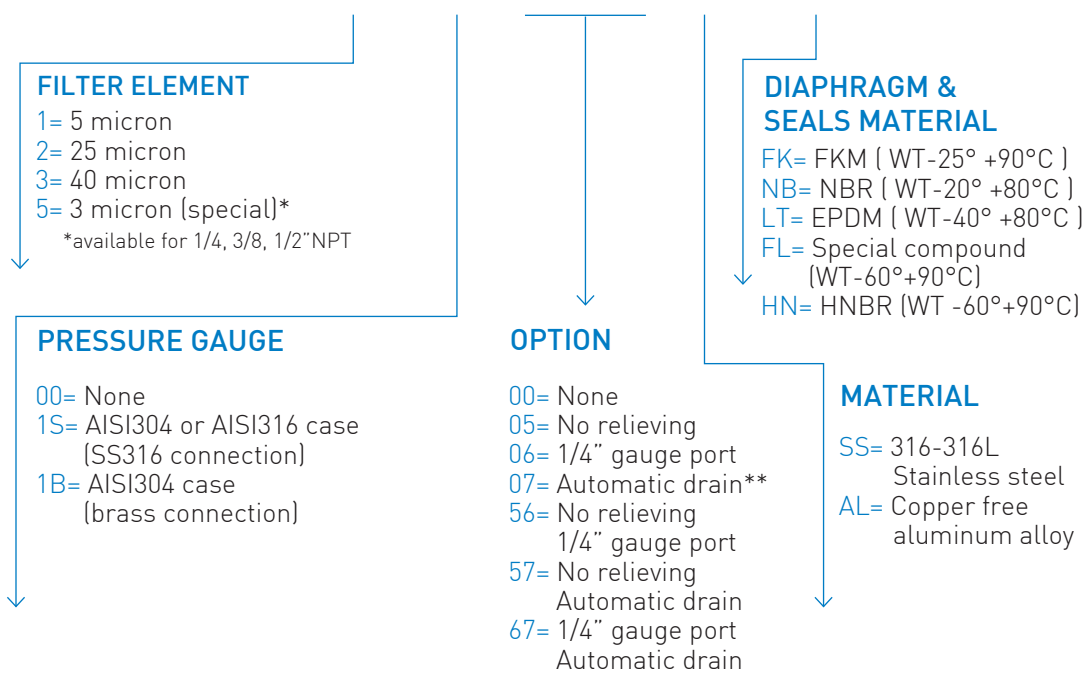
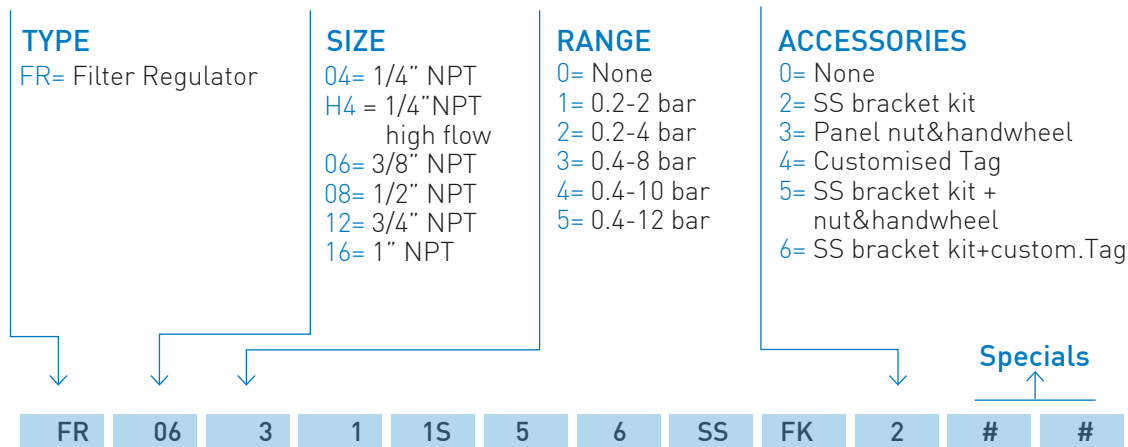
\* Refers to filter element option: 1→5 micron 2→25 micron 3→40 micron 4→coalescing

\*\* Refers to seals type: FK→FKM NB→NBR LT→EPDM FL→FVMQ HN→HNBR

# Ordering information - Filter regulators

## Come ordinare - Filtri regolatori

www.sitecna.eu



### CODE EXAMPLES

|    |    |   |   |    |   |   |    |    |   |  |
|----|----|---|---|----|---|---|----|----|---|--|
| FR | 08 | 3 | 3 | 1S | 0 | 7 | SS | FK | 2 |  |
|----|----|---|---|----|---|---|----|----|---|--|

**1/2" NPT, SS316, 0 to 8 bar range, filter regulator, with 40 micron filtering element, relieving, SS pressure gauge, automatic drain, ss bracket kit and FKM diaphragm & seals**  
Filtro regolatore da 1/2" NPT in AISI316, range regolato 0/8 bar, elemento filtrante da 40 micron, manometro tutto inox, relieving, scarico condensa automatico, staffa inox, diaframma e tenute in FKM

|    |    |   |   |    |   |   |    |    |   |  |
|----|----|---|---|----|---|---|----|----|---|--|
| FR | 06 | 3 | 1 | 00 | 0 | 0 | SS | FK | 0 |  |
|----|----|---|---|----|---|---|----|----|---|--|

**3/8" NPT, SS316, 0 to 8 bar range, filter regulator, with 5 micron filtering element, relieving and FKM diaphragm & seals**  
Filtro regolatore da 3/8" NPT in AISI316, range regolato 0/8 bar, elemento filtrante da 5 micron, relieving, diaframma e tenute in FKM

**\*\* Nota for automatic drain: use not recommended for T 2°C (under this T the moisture in the medium could freeze and cause drain malfunction or breaking) / Nota per scarico automatico: uso non raccomandato per T 2°C (sotto questa T la condensa può ghiacciare e causare malfunzionamenti o rotture).**

01-FR/22A