







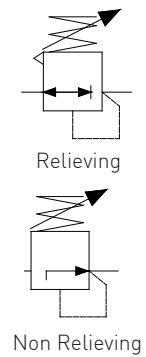


AISI316L 1/4"NPT pressure regulator – R serie

Regolatore di pressione da 1/4"NPT in AISI316L – serie R

- Suitable for automation equipment to onshore, offshore, pharmaceutical, medical and food applications
- Full material traceability
- Excellent stability and repeatability
- Accurate adjustment and high flow capacity
- ATEX 2014/34/UE  II 2G Ex h IIC T6/T5 Gb X
II 2D Ex h IIIC T85°C/T100°C Db X
-  &  approved / IP66/ SIL 3 - IEC 61508 

- Adatto per automazione in applicazioni marine, petrolchimiche, farmaceutiche, medicali e alimentari
- Completa rintracciabilità dei materiali
- Eccellente stabilità e ripetibilità
- Precise regolazioni ed elevate portate
- ATEX 2014/34/UE  II 2G Ex h IIC T6/T5 Gb X
II 2D Ex h IIIC T85°C/T100°C Db X
- Approvato  ed  / IP66 / SIL 3 - IEC 61508 



Media / Fluido	Air, inert gases, sweet and sour gases, clean water
Port thread / Connessioni	1/4"NPT
Gauge Connection Connessione manometro	1/8"NPT (1/4"NPT option)
Max inlet pressure / Pressione massima di ingresso	30bar
Relieving/ Scarico sovrappressioni	Standard
Flow Rate (@10 bar inlet, 6bar regulated, delta P=1bar)/ Portata	940dm ³ /min Cv=0.9
Working temperature / Temperatura di esercizio	-20°C up to 80°C (NBR); -25°C up to 90°C (FKM); -40°C up to 80°C (EPDM); -60° up tp 90°C (FVMQ)*
Regulated pressure Pressioni regolate	0.2/2, 0.2/4, 0.4/8, 0.4/10, 0.4/12bar

Air supply must be dry enough to avoid ice formation at temperatures below +2°C (+35°F).

*Special version in HNBR (WT -60°C + 90°C)

It provides excellent regulation for a wide range of applications. Rugged and corrosion resistant - made of 316/316L stainless steel.

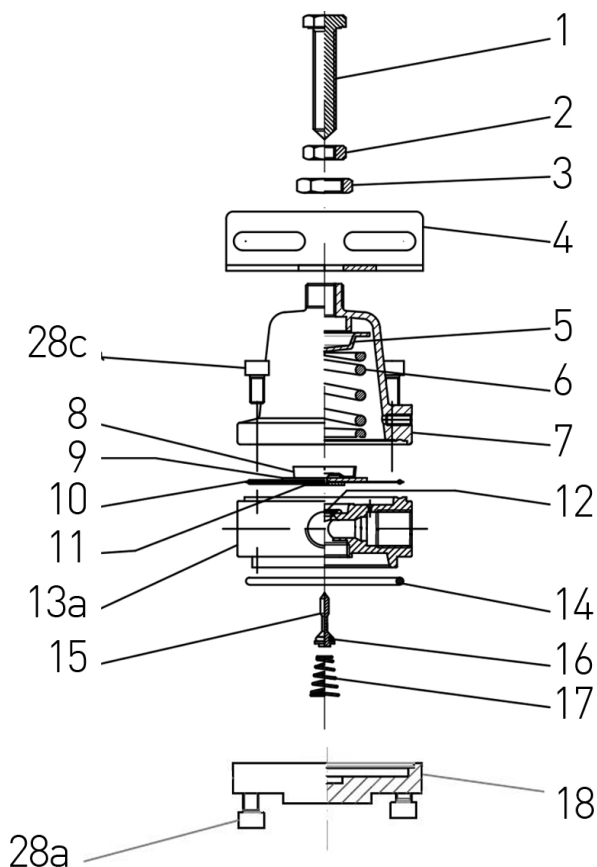
Permette una regolazione accurata per una vasta gamma di applicazioni. Robusto e resistente alla corrosione - costruito in AISI316/316L.

BUILDING MATERIALS	Materiali costruttivi
Body, bonnet, end plate in AISI 316/316L stainless steel	Corpo, coperchio, piastra inferiore acciaio inossidabile AISI316/316L
Internals, adjustment screw, bracket, lock and panel nuts, fixing screws in stainless steel	Parti interne, vite di regolazione, staffa, dadi di bloccaggio e pannello, viti di fissaggio in acciaio inossidabile
Diaphragm & seals in elastomer	Diaframma e guarnizioni in elastomero

Product exploded view

Esploso del prodotto

www.sitecna.eu

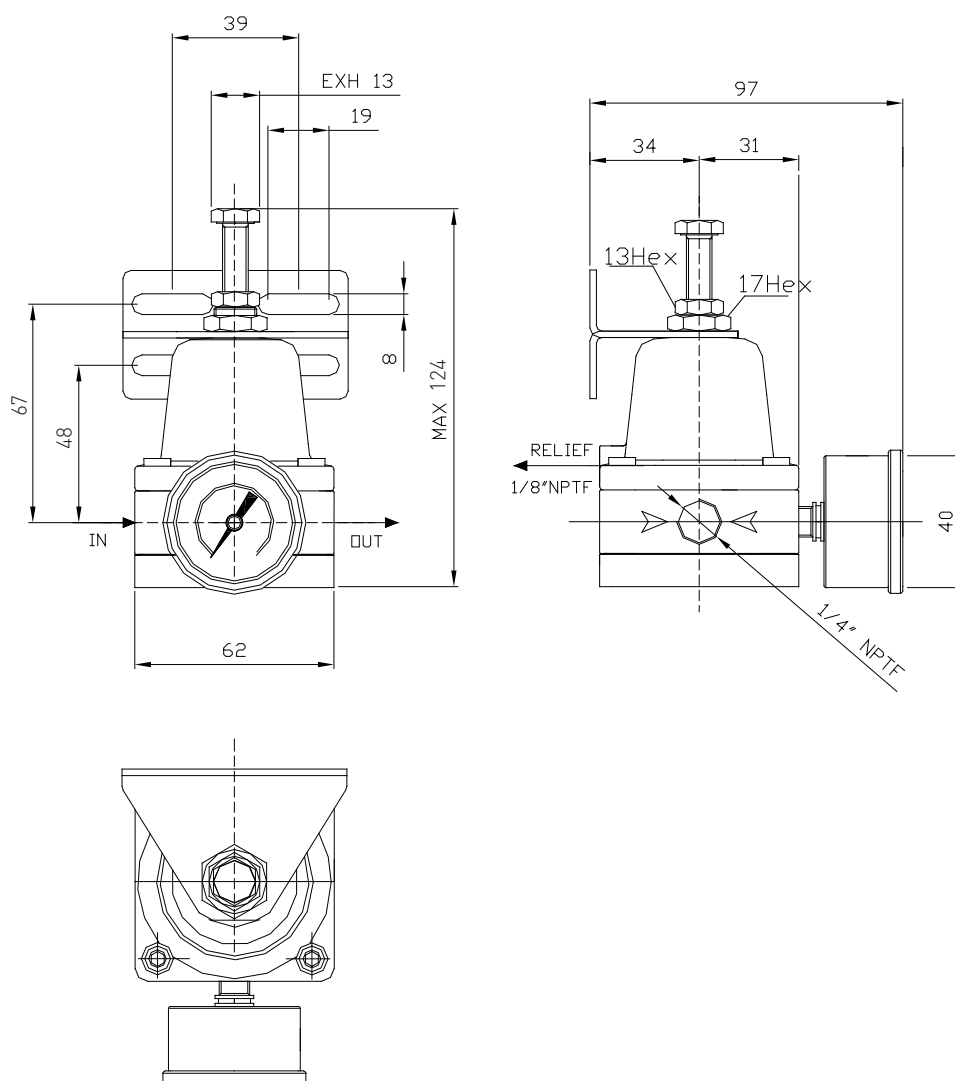


Pos.	Q.ty	Description	Descrizione
1	1	ADJUSTMENT SCREW	VITE DI REGOLAZIONE
2	1	LOCK ADJUSTMENT NUT	DADO FISSAGGIO REGOLAZIONE
3	1	BRACKET NUT	DADO STAFFA
4a	1	BRACKET	STAFFA
5	1	UPPER SPRING SEAT	SEDE SUPERIORE MOLLA
6	1	ADJUSTMENT SPRING	MOLLA DI REGOLAZIONE
7	1	BONNET	TAZZA SUPERIORE
8	1	LOWER SPRING GUIDE	GUIDA INFERIORE MOLLA
9	1	LOWER SPRING RESET	RESET INFERIORE MOLLA
10	1	DIAPHRAGM	DIAFRAMMA
11	1	VALVE SEAT	SEDE VALVOLA
12	1	PTFE RING	ANELLO PTFE
13a	1	BODY	CORPO
14	1	O-RING	O-RING
15	1	VALVE STEAM	CORPO VALVOLA
16	1	O'RING VALVE STEAM	O'RING VALVE STEAM
17	1	VALVE SPRING	MOLLA VALVOLA
18	1	REGULATOR BOTTOM	PIATTELLO
28a	4	SCREW M5X10	VITI M5X10
28c	4	SCREW M5X10	VITI M5X10

BT-R04SS/C22B

Overall dimension

Dimensioni di ingombro



R04 A = 1/4"

Accessories and repair kit

Accessori e ricambi

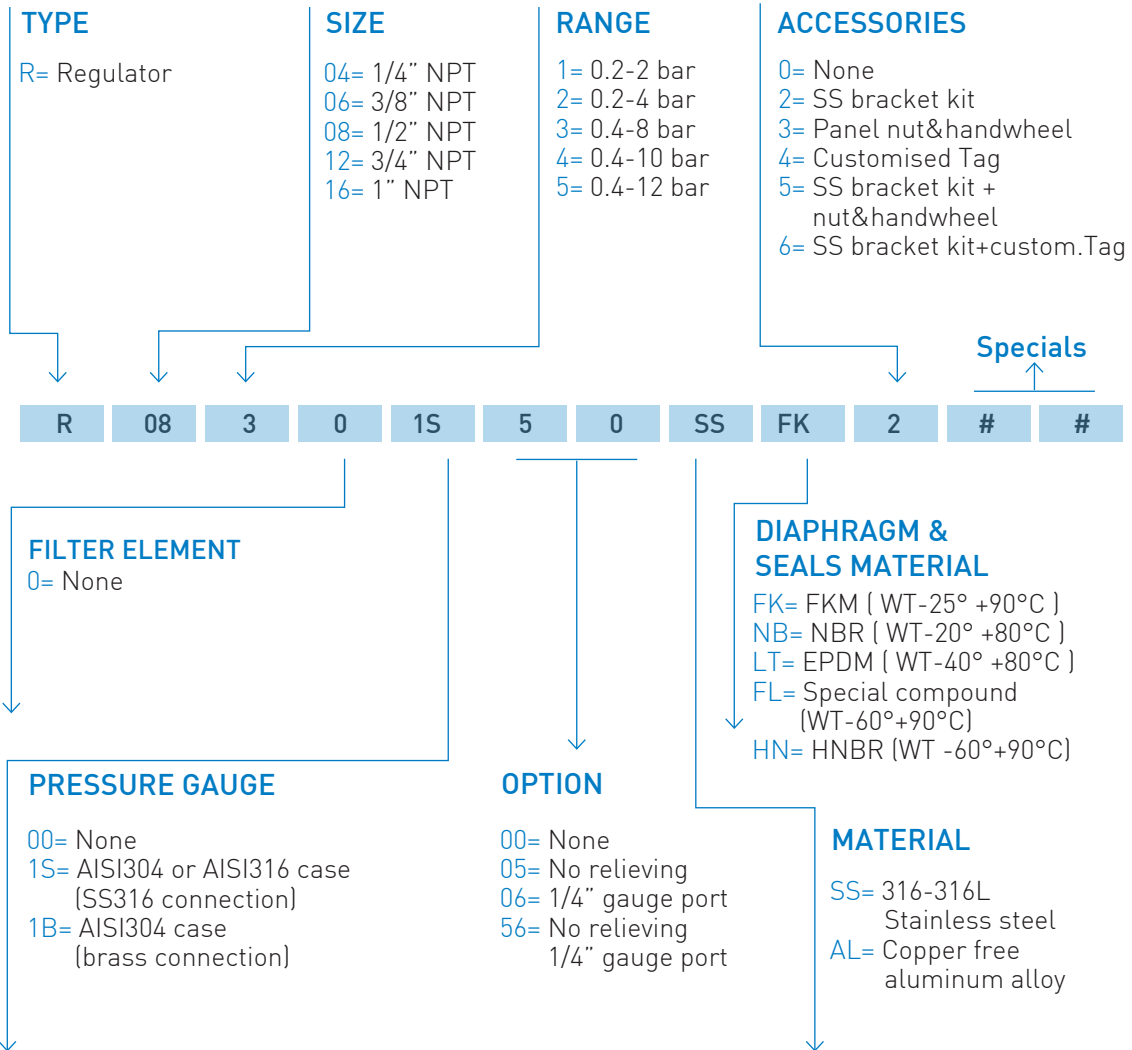
Maintenance kit / Kit manutenzione	K-R04-0-SS-** [1/4"]
Pressure gauge DN40mm, all inox, Bar+psi+kpa range / Manometro DN40mm, tutto inox, scala Bar+psi+kpa	0-2,5 bar MBS6P4S2PN04 0-4bar MBS6P4S2PN05 0-10bar MBS6P4S2PN07
Bracket / Staffa	SQ-FR04
Anti-tamper kit / Kit anti-manomissione	KTAM04-08

** Refers to seals type: FK→FKM NB→NBR LT→EPDM FL→FVMQ HN→HNBR

Ordering information - Pressure regulators

Come ordinare - Regolatori di pressione

www.sitecna.eu



CODE EXAMPLES

R	06	3	0	1S	0	6	SS	FK	2		
---	----	---	---	----	---	---	----	----	---	--	--

3/8"NPT, SS316, 0 to 8 bar range pressure regulator, relieving, SS pressure gauge, 1/4"NPT gauge port, ss bracket kit and FKM diaphragm & seals
Regolatore di pressione da 3/8"NPT in AISI316, range regolato 0/8 bar, manometro tutto inox, attacco manometro 1/4"NPT, relieving, staffa inox, diaframma e tenute in FKM

R	12	1	0	00	5	0	AL	LT	0		
---	----	---	---	----	---	---	----	----	---	--	--

3/4"NPT, aluminum alloy, 0 to 2 bar range, pressure regulator, no relieving, EPDM diaphragm & seals
Filtro regolatore da 3/8"NPT in alluminio esente rame, range regolato 0/8 bar, no relieving, diaframma e tenute in EPDM



01-R/22A