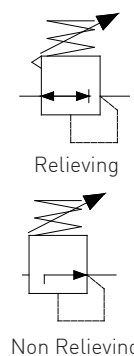


www.sitecna.eu

### Copper free aluminum alloy 3/4", 1"NPT pressure regulator – R serie

Regolatore di pressione da 3/4" - 1"NPT in lega di alluminio esente rame – serie R

- Suitable for automation equipment to onshore, offshore, pharmaceutical, medical and food applications
- Full material traceability
- Excellent stability and repeatability
- Accurate adjustment and high flow capacity
- ATEX 2014/34/UE II 2G Ex h IIC T6/T5 Gb X  
II 2D E xh IIIC T85°C/T100°C Db X
- & approved / IP66/ SIL 3 - IEC 61508



- Adatto per automazione in applicazioni marine, petrolchimiche, farmaceutiche, medicali e alimentari
- Completa rintracciabilità dei materiali
- Eccellente stabilità e ripetibilità
- Precise regolazioni ed elevate portate
- ATEX 2014/34/UE II 2G Ex h IIC T6/T5 Gb x  
II 2D Ex h IIIC T85°C/T100°C Db X
- Approvato ed / IP66 / SIL 3 - IEC 61508

Media / Fluido	Air, inert gases, sweet and sour gases, clean water
Port thread / Connessioni	3/4" - 1" NPT
Gauge Connection Connessione manometro	1/4" NPT (1/8" NPT option)
Max inlet pressure / Pressione massima di ingresso	25bar
Relieving/ Scarico sovrappressioni	Standard
Flow rate (@10bar inlet, 6bar regulated, delta P=1bar) / Portata	11500dm <sup>3</sup> /min Cv=11.5
Working temperature / Temperatura di esercizio	-20°C up to 80°C (NBR); -25°C up to 90°C (FKM); -40°C up to 80°C (EPDM); -60° up tp 90°C (FVMQ)*
Regulated pressure Pressioni regolate	0.2/2, 0.2/4, 0.4/8, 0.4/10, 0.4/12bar

Air supply must be dry enough to avoid ice formation at temperatures below +2°C (+35°F).

\*Special version in HNBR (WT -60°C + 90°C)

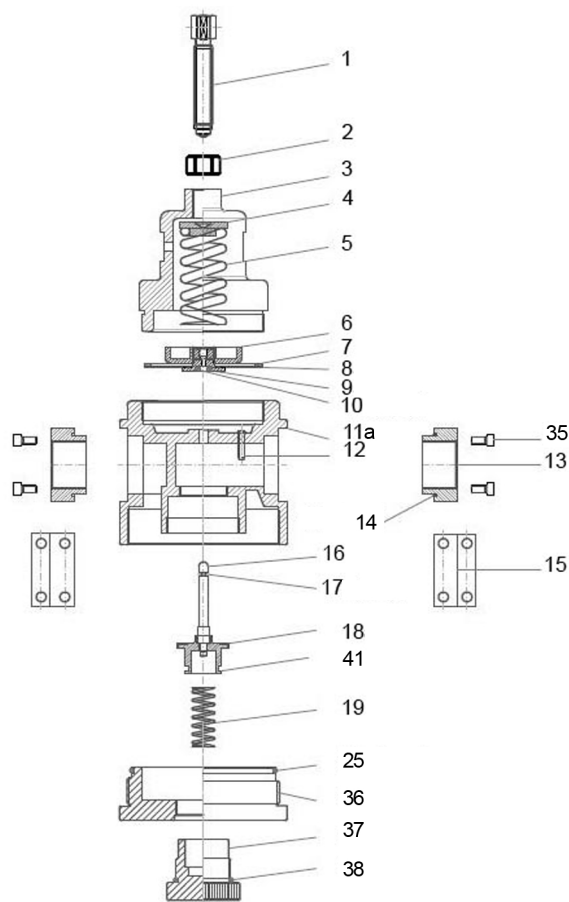
**It provides excellent regulation and for a wide range of applications. Rugged and corrosion-resistant – made of aluminum alloy and SS AISI304/316 / Permette un'accurata regolazione per una vasta gamma di applicazioni. Robusto e resistente alla corrosione – Costruito lega di alluminio ed AISI316**

BUILDING MATERIALS	Materiali costruttivi
Body, bonnet, end plate in tropicalized aluminum alloy	Corpo, tazza superiore, piastra inferiore in lega di alluminio tropicalizzata
Internals, adjustment screw, bracket, lock and panel nuts, fixing screws in stainless steel	Parti interne, vite di regolazione, staffa, dadi di bloccaggio e pannello, viti di fissaggio in acciaio inossidabile
Diaphragm & seals in elastomer	Diaframma e guarnizioni in elastomero

BT-R16AL/C22A

## Product exploded view

Esploso del prodotto

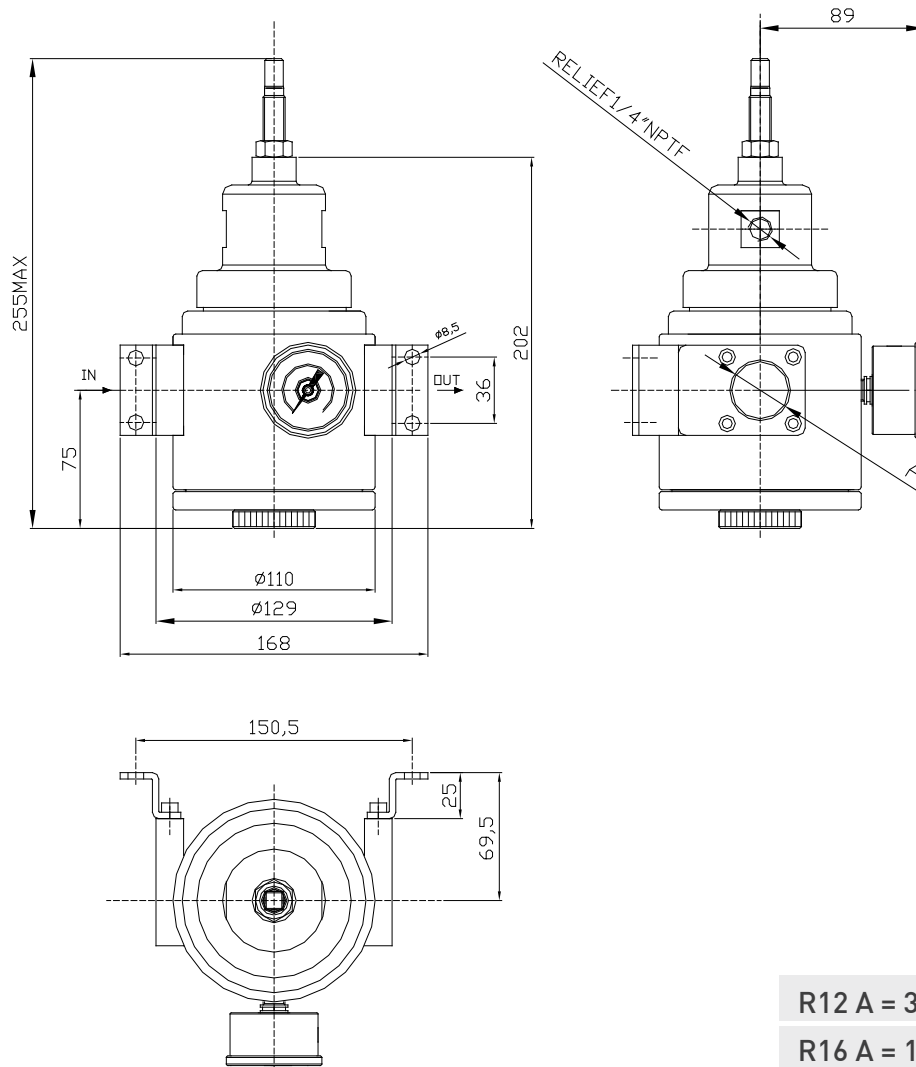


Pos.	Q.ty	Description	Descrizione
1	1	ADJUSTMENT SCREW	VITE DI REGOLAZIONE
2	1	LOCK ADJUSTMENT NUT	DADO FISSAGGIO REGOLAZIONE
3	1	BONNET	TAZZA SUPERIORE
4	1	UPPER SPRING SEAT	SEDE SUPERIORE MOLLA
5	1	ADJUSTMENT SPRING	MOLLA DI REGOLAZIONE
6	1	LOWER SPRING RESET	RESET INFERIORE MOLLA
7	1	SLIP RING	SLIP RING
8	1	DIAPHRAGM	SEDE VALVOLA
9	1	VALVE SEAT	CORPO
10	1	O-RING (ONLY FOR RELIEVING)	O-RING (SOLO PER RELIEVING)
11a	1	BODY	CORPO
12	1	SIPHON	SIFONE
13	2	CONNECTION	TERMINALI FILETTATI
14	2	O-RING	O-RING
15	2	BRACKET	STAFFA
16	1	VALVE STEAM	COPRO VALVOLA
17	1	O-RING	O-RING
18	1	VALVE	VALVOLA
19	1	VALVE SPRING	MOLLA VALVOLA
35	8	SCREW M5x16 DIN 912 A2	VITI M5X16
36	1	REGULATOR BOTTOM	PIATTELLO
37	1	REGULATOR VALVE SEAT	SEDE VALVOLA
38	1	O-RING	O-RING
41	1	O-RING VALVE	O-RING VALVE

www.sitecna.eu

### Overall dimension

Dimensioni di ingombro



R12 A = 3/4"  
R16 A = 1"

### Accessories and repair kit

Accessori e ricambi

Maintenance kit / Kit manutenzione	Items K-R16-0-AL-**
Pressure gauge DN40mm, SS case, Bar+psi+kpa range / Manometro DN40mm, cassa inox, scala Bar+psi+kpa	0-2bar MBSNP4S2PN3S 0-4bar MBSNP4S2PN05 0-10bar MBSNP4S2PN07
Bracket / Staffa	SQ-FR16
<b>Anti-tamper kit / Kit anti-manomissione</b>	<b>KTAM04-08</b>

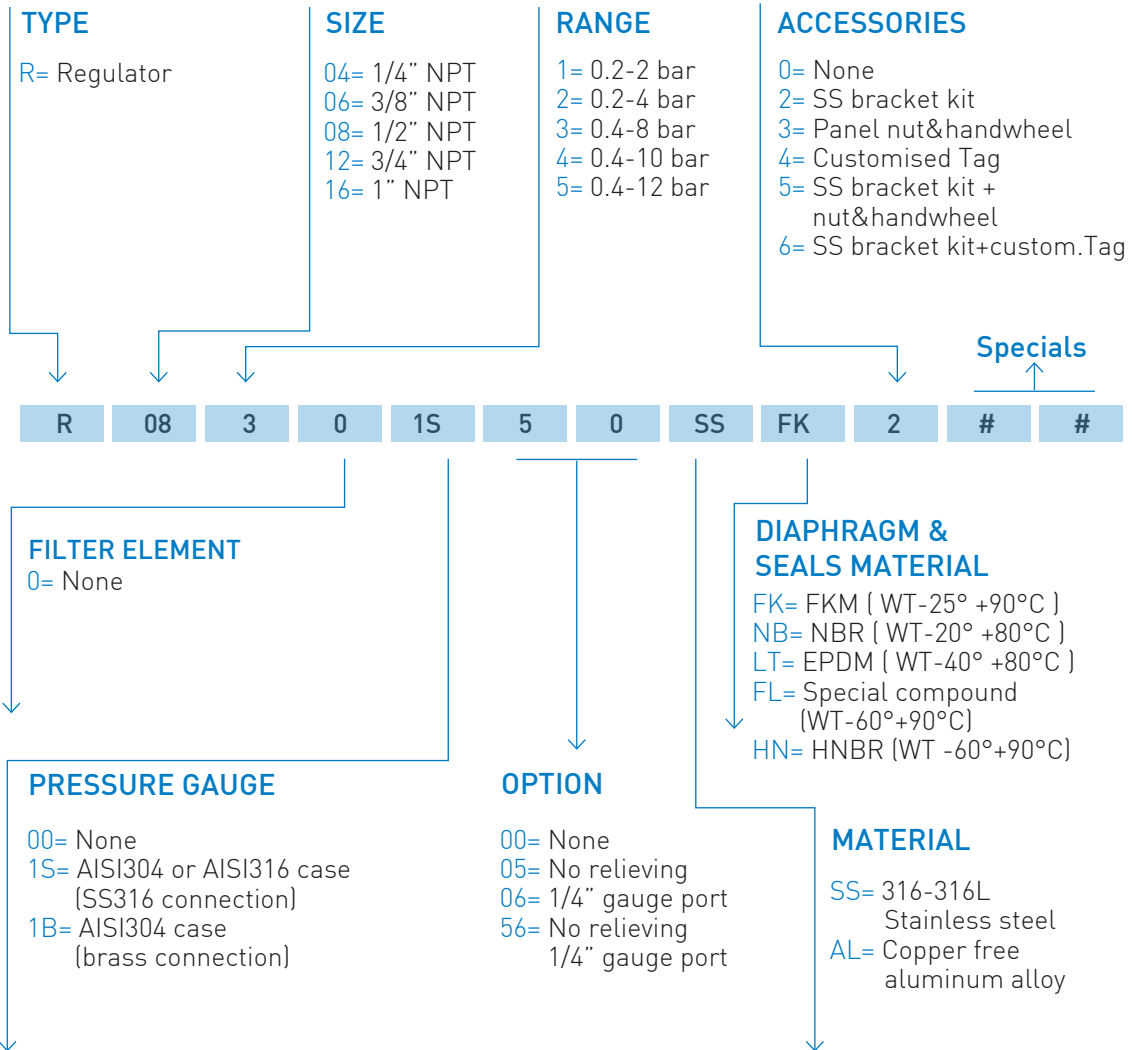
\*\* Refers to seals type: FK→FKM NB→NBR LT→EPDM FL→FVMQ HN→HNBR

BT-R16AL/C22C

# Ordering information - Pressure regulators

## Come ordinare - Regolatori di pressione

www.sitecna.eu



### CODE EXAMPLES

R	06	3	0	1S	0	6	SS	FK	2		
---	----	---	---	----	---	---	----	----	---	--	--

**3/8"NPT, SS316, 0 to 8 bar range pressure regulator, relieving, SS pressure gauge, 1/4"NPT gauge port, ss bracket kit and FKM diaphragm & seals**  
Regolatore di pressione da 3/8"NPT in AISI316, range regolato 0/8 bar, manometro tutto inox, attacco manometro 1/4"NPT, relieving, staffa inox, diaframma e tenute in FKM

R	12	1	0	00	5	0	AL	LT	0		
---	----	---	---	----	---	---	----	----	---	--	--

**3/4"NPT, aluminum alloy, 0 to 2 bar range, pressure regulator, no relieving, EPDM diaphragm & seals**  
Filtro regolatore da 3/8"NPT in alluminio esente rame, range regolato 0/8 bar, no relieving, diaframma e tenute in EPDM



01-R/22A