







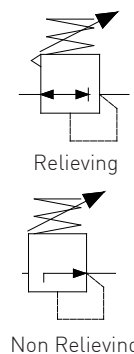
AISI316L 3/4"-1"NPT pressure regulator – R serie

Regolatore di pressione da 3/4" - 1"NPT in AISI316L – serie R

- Suitable for automation equipment to onshore, offshore, pharmaceutical, medical and food applications
- Full material traceability
- Excellent stability and repeatability
- Accurate adjustment and high flow capacity
- ATEX 2014/34/UE  II 2G Ex h IIC T6/T5 Gb X
II 2D Ex h IIIC T85°C/T100°C Db X

-  &  approved / IP66/ SIL 3 - IEC 61508 

- Adatto per automazione in applicazioni marine, petrolchimiche farmaceutiche, medicali e alimentari
- Completa rintracciabilità dei materiali
- Eccellente stabilità e ripetibilità
- Precise regolazioni  ed elevate portate
- ATEX 2014/34/UE  II 2G Ex h IIC T6/T5 Gb X
II 2D Ex h IIIC T85°C/T100°C Db X
- Approvato  ed  / IP66 / SIL 3 - IEC 61508 



Media / Fluido	Air, inert gases, sweet and sour gases, clean water
Port thread / Connessioni	3/4"-1" NPT
Gauge Connection Connessione manometro	1/4"NPT (1/8"NPT option)
Max inlet pressure / Pressione massima di ingresso	30bar
Relieving/ Scarico sovrappressioni	Standard
Flow rate (@10bar inlet, 6bar regulated, delta P=1bar) / Portata	11500dm ³ /min Cv=11.5
Working temperature / Temperatura di esercizio	-20°C up to 80°C (NBR); -25°C up to 90°C (FKM); -40°C up to 80°C (EPDM); -60° up tp 90°C (FVMQ)*
Regulated pressure Pressioni regolate	0.2/2, 0.2/4, 0.4/8, 0.4/10, 0.4/12bar

Air supply must be dry enough to avoid ice formation at temperatures below +2°C (+35°F).

*Special version in HNBR (WT -60°C + 90°C)

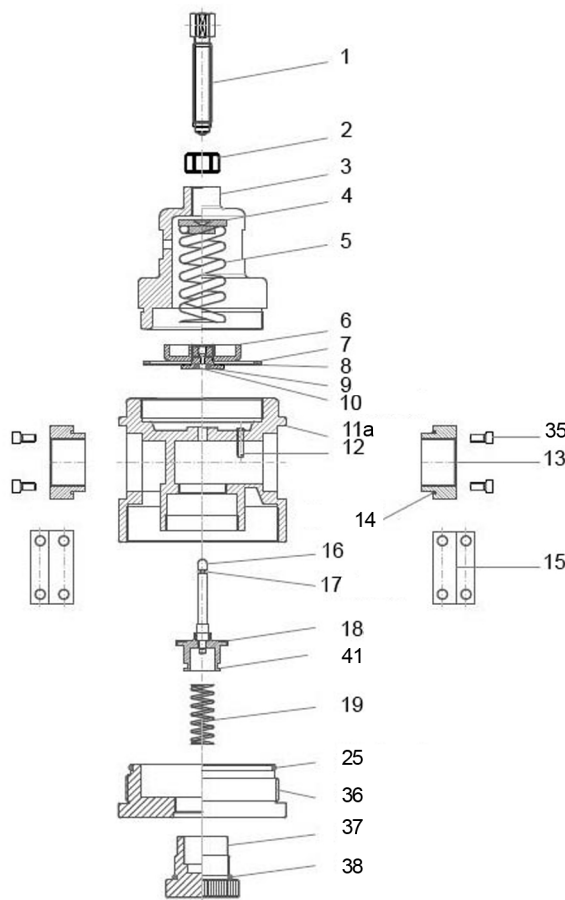
It provides excellent regulation and for a wide range of applications. Rugged and corrosion-resistant – made of 316L stainless steel / Permette un'accurata regolazione per una vasta gamma di applicazioni. Robusto e resistente alla corrosione – Costruito in acciaio inossidabile 316L

BUILDING MATERIALS	Materiali costruttivi
Body, bonnet, end plate in AISI 316/316L stainless steel	Corpo, coperchio, piastra inferiore acciaio inossidabile AISI316/316L
Internals, adjustment screw, bracket, lock and panel nuts, fixing screws in stainless steel	Parti interne, vite di regolazione, staffa, dadi di bloccaggio e pannello, viti di fissaggio in acciaio inossidabile
Diaphragm & seals in elastomer	Diaframma eguarnizioni in elastomero

Product exploded view

Esploso del prodotto

www.sitecna.eu

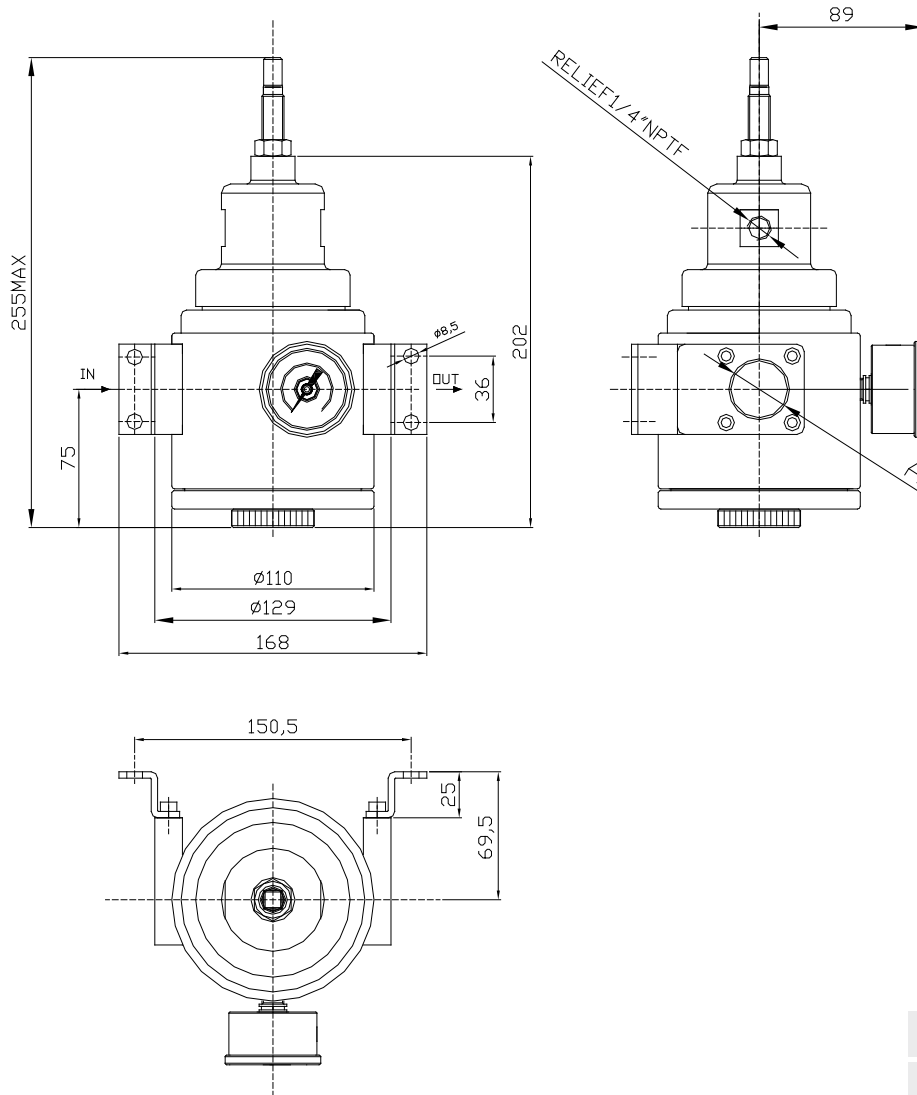


Pos.	Q.ty	Description	Descrizione
1	1	ADJUSTMENT SCREW	VITE DI REGOLAZIONE
2	1	LOCK ADJUSTMENT NUT	DADO FISSAGGIO REGOLAZIONE
3	1	BONNET	TAZZA SUPERIORE
4	1	UPPER SPRING SEAT	SEDE SUPERIORE MOLLA
5	1	ADJUSTMENT SPRING	MOLLA DI REGOLAZIONE
6	1	LOWER SPRING RESET	RESET INFERIORE MOLLA
7	1	SLIP RING	SLIP RING
8	1	DIAPHRAGM	SEDE VALVOLA
9	1	VALVE SEAT	CORPO
10	1	O'RING 5,32X2,62 (ONLY FOR RELIEVING)	O'RING 5,32X2,62 (SOLO PER RELIEVING)
11a	1	BODY	CORPO
12	1	SIPHON	SIFONE
13	2	CONNECTION	TERMINALI FILETTATI
14	2	O'RING 37,82X1,78	O'RING 37,82X1,78
15	2	BRACKET	STAFFA
16	1	VALVE STEAM	COPRO VALVOLA
17	1	O'RING 3,69x1,78	O'RING 3,69x1,78
18	1	VALVE	VALVOLA
19	1	VALVE SPRING	MOLLA VALVOLA
35	8	SCREW M5x16 DIN 912 A2	VITI M5X16
36	1	REGULATOR BOTTOM	PIATTELLO
37	1	REGULATOR VALVE SEAT	SEDE VALVOLA
38	1	O'RING 32,99X2,62	O'RING 32,99X2,62
41	1	O'RING VALVE 18,72X2,62	O'RING VALVE 18,72X2,62

BT-R16SS/C22B

Overall dimension

Dimensioni di ingombro



R12 A = 3/4"

R16 A = 1"

Accessories and repair kit

Accessori e ricambi

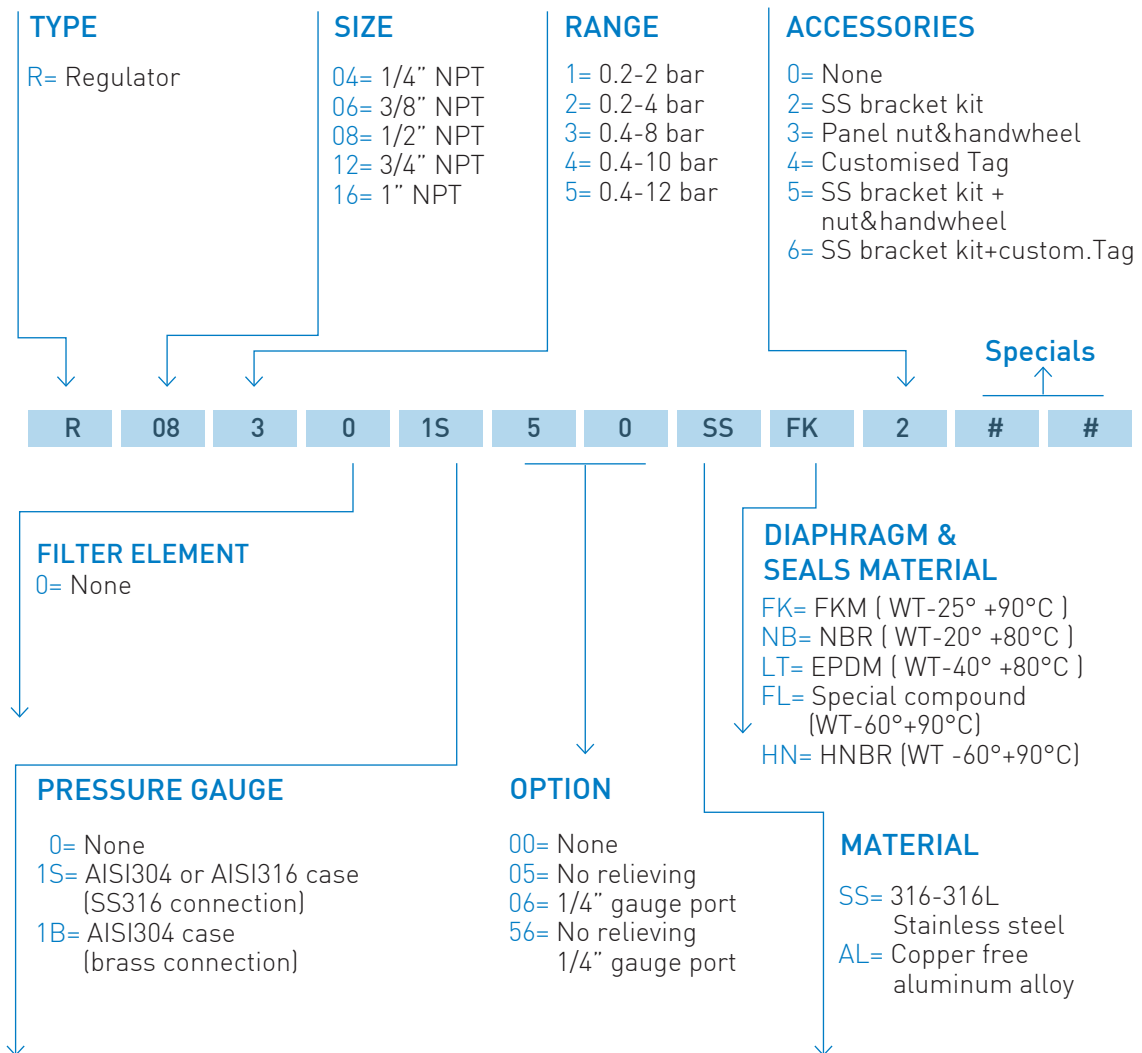
Maintenance kit / Kit manutenzione	Items K-R16-0-SS-** [1"]
Pressure gauge DN40mm, SS case, Bar+psi+kpa range / Manometro DN40mm, tutto inox, scala Bar+psi+kpa	0-2,5 bar MBS6P4S2PN04 0-4bar MBS6P4S2PN05 0-10bar MBS6P4S2PN07
Bracket / Staffa	SQ-FR16
Anti-tamper kit / Kit anti-manomissione	KTAM04-08

** Refers to seals type: FK→FKM NB→NBR LT→EPDM FL→FVMQ HN→HNBR

Ordering information - Pressure regulators

Come ordinare - Regolatori di pressione

www.sitecna.eu



CODE EXAMPLES

R	06	3	0	1S	0	6	SS	FK	2		
---	----	---	---	----	---	---	----	----	---	--	--

3/8"NPT, SS316, 0 to 8 bar range pressure regulator, relieving, SS pressure gauge, 1/4"NPT gauge port, ss bracket kit and FKM diaphragm & seals Regolatore di pressione da 3/8"NPT in AISI316, range regolato 0/8 bar, manometro tutto inox, attacco manometro 1/4"NPT, relieving, staffa inox, diaframma e tenute in FKM

R	12	1	0	00	5	0	AL	LT	0		
---	----	---	---	----	---	---	----	----	---	--	--

3/4"NPT, aluminum alloy, 0 to 2 bar range, pressure regulator, no relieving, EPDM diaphragm & seals Filtro regolatore da 3/8"NPT in alluminio esente rame, range regolato 0/8 bar, no relieving, diaframma e tenute in EPDM



01-R/22A