

DEW POINT SENSOR (-50°C ... +50°C) S 217-OEM



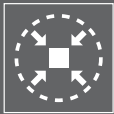
COMPACT DESIGN
Makes it easy to fit into the application



Made for your application — **designed to fit your needs**



S 217 FEATURES



COMPACT DESIGN
Makes it easy to fit into the application



PRECISE MEASUREMENT
Long lasting sensor accuracy



DEW POINT
In the range you need it



OEM SENSOR
Cost effective version

S 217 BENEFITS

- Small size makes it ideal for dryer installations
- Measures dew points down to -50°C
- 2-wire or 3-wire output
- IP65 casing provides robust protection in rough industrial environment
- Very fast response time ensures safe and reliable indication whenever dew points are out of valid ranges
- Can be installed directly into dryers through G 1/2" thread
- High accuracy of 1°C ... 2°C dew point
- Withstands condensation
- M8 / M12 connector and cable with open wires

The SUTO dew point sensor S 217 provides reliable and long term stable dew point monitoring in industrial applications. The newly developed sensor features improved signal and stability in demanding industrial applications.

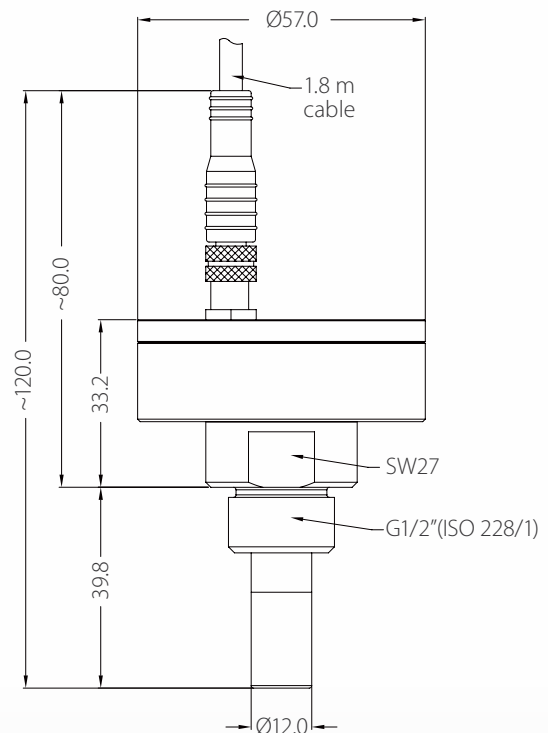
It's designed for OEM applications in desiccant and refrigeration dryers. Through our new sensor technology paired with a compact casing, S 217-OEM can be offered at very attractive prices. This allows applications in smaller dryers and point of use dryers using a more energy efficient dew point control.

The measured dew point is output via the loop-powered 4 ... 20 mA signal or 3-wire 4 ... 20 mA output. Sensor parameters such as analogue output scaling, physical units, can be set ex factory.

S 217 TECHNICAL DATA

| General Specifications | |
|---------------------------------------|---|
| Measurement range (model depending) | Dew point -50°C ... +20°C Temperature -20°C ... +50°C -30°C ... +70°C |
| Dew point sensor | Polymer |
| Temperature sensor | NTC |
| Pressure sensor | N/A |
| Accuracy | Dew point ±2°C Temperature 0.3°C |
| Operating Pressure | -0.1 ... 5.0 MPa |
| Operating Temperature (Medium) | -30°C ... +70°C |
| Measured gases (Medium) | Non-corrosive gases |
| Response Time t90 (@ 4 l/min) | -40°C -> -20°C: 20 sec 0°C -> -40°C: 120 sec |
| Ambient Temperature | -20°C ... +5°C |
| Ambient Humidity | 0 ... 100 %rH |
| Supply Voltage | 12 ... 30 VDC |
| Current consumption (model depending) | 30 mA @ 24 VDC 3-Wire 20 mA @ 24 VDC 2-Wire |
| Output signals (model depending) | 4 ... 20 mA 3-Wire 4 ... 20 mA 2-Wire |
| Electrical connection | Cable, 1.8 m, open end wire, M8 connector, 4 poles |
| Process connection | G 1/2" thread (ISO 228/1) Stainless steel 1.4301 (SUS 304) |
| Casing material | Aluminium alloy |
| Classification | IP65 |
| EMC | IEC 61326-1 |
| Approval | - |
| Sensor protection | Sinter filter |
| Transport Temperature | -30°C ... +70°C |
| Storage Temperature | -20°C ... +50°C |
| Weight | 198 g |

S 217 DIMENSIONS



Stated accuracy under following conditions:

- Ambient temperature 23°C ±3°C
- Process temperature 23°C ±3°C
- Ambient humidity < 95%, no condensation

S 217 ORDERING



Visit our website or e-mail us:
www.suto-itec.com
sales@suto-itec.com

Please use the following table to assist in placing your order with our sales staff.

| S 217-OEM DEW POINT SENSOR (-50°C ... +50°C) | |
|--|--|
| Order No. | Description |
| S699 2170 | S 217-0, dew point sensor, 4 ... 20 mA (2-wire), -50° ... +20°C, G 1/2" thread, 50 bar, M8 |
| S699 2173 | S 217-3, dew point sensor, 4 ... 20 mA (2-wire), -20° ... +50°C, G 1/2" thread, 50 bar, M8 |
| S699 2174 | S 217-4, dew point sensor, 4 ... 20 mA (3-wire), -20° ... +50°C, G 1/2" thread, 50 bar, M8 |
| S699 2175 | S 217-5, dew point sensor, 4 ... 20 mA (3-wire), -50° ... +20°C, G 1/2" thread, 50 bar, M8 |
| Custom range | |
| A1390 | S 217, customized measuring range |
| High pressure option | |
| A1391 | S 217, high pressure option 35 MPa (350 bar) |
| Accessories | |
| A699 3491 | Measuring chamber for easy installation in compressed air system up to 15 bar |
| A699 3493 | Measuring chamber bypass type (in and out 6 mm hose connection) |
| C198 0002 | Sinter cap stainless steel |