

VPB

On-off pneumatic valve



FEATURES

Brass or aluminium on-off pneumatic valves for working pressure up to 50 bar (725 psi)

Inlet and outlet connections:

G 1/2 –F VPB 121

G 1 –F VPB 123

G 1 1/2 –F VPB 130

The valve opens and closes the fluid flow.

The valve is normally closed and it opens only when the pilot pressure is applied through the G 1/4 connection.

The product complies with the directive 97/23/CE PED.

SPECIFICATIONS

Valve weight: VPB121 brass ~1,2 kg/ ~2,6 lb

VPB123 aluminium ~3,2 kg/ ~7 lb

VPB130 aluminium ~9 kg/ ~ 19,8 lb

Maximum working pressure 50 bar (725 psi)

Pilot pressure range : 1,5 ÷ 15 bar (22 ÷ 218 psi)

Working temperature: -20 °C ÷ +60 °C (-4 °F ÷ +140 °F)

Degree of protection: IP25

Diaphragm actuator for VPB121 and VPB123

Piston actuator for VPB130

MATERIALS

Gaskets: NBR

Main valve spring: Stainless steel

ACCESSORIES

Threaded connections different from standard

SPARE PARTS

Complete kit: gaskets, main valve, diaphragm, net filter

available model types

Corpo da fusione in ottone / Cast brass body

Campana da lavorazione di barra in ottone/ Brass bonnet by machining bar

TYPE	PS bar	PRESSIONE PILOTA	CONNECTION IN/OUT	MATERIAL	CODE	MEDIUM
						VPB
VPB 121	30	1,5-15	G 1/2-F	OTTONE/BRASS	VPB	O2
					VPB	H2 - CH4 - C3H8
					VPB	*
					VPB	**
VPB 121	50	1,5-15	G 1/2-F	OTTONE/BRASS	VPB	O2
					VPB	H2 - CH4 - C3H8
					VPB	*
					VPB	**
VPB 121	50	5-50	G 1/2-F	OTTONE/BRASS	VPB	O2
					VPB	H2 - CH4 - C3H8
					VPB	*
					VPB	**
VPB 123	30	1,5-15	G 1-F	OTTONE/BRASS	VPB	O2
					VPB	H2 - CH4 - C3H8
					VPB	*
					VPB	**
VPB 123	50	1,5-15	G 1-F	OTTONE/BRASS	VPB	O2
					VPB	H2 - CH4 - C3H8
					VPB	*
					VPB	**
VPB 123	50	5-50	G 1-F	OTTONE/BRASS	VPB	O2
					VPB	H2 - CH4 - C3H8
					VPB	*
					VPB	**
VPB 130	30	1,5-15	G 1 1/2-F	OTTONE/BRASS	VPB	O2
					VPB	H2 - CH4 - C3H8
					VPB	*
					VPB	**
VPB 130	50	1,5-15	G 1 1/2-F	OTTONE/BRASS	VPB	O2
					VPB	H2 - CH4 - C3H8
					VPB	*
					VPB	**
VPB 130	50	5-50	G 1 1/2-F	OTTONE/BRASS	VPB	O2
					VPB	H2 - CH4 - C3H8
					VPB	*
					VPB	**

* Aria - N2 - He - Ar - Ar/CO2

** CO2

Corpo da fusione in alluminio / Cast aluminium body

Campana da lavorazione di barra in alluminio/ Aluminium bonnet by machining bar

TYPE	PS bar	PRESSIONE PILOTA	CONNECTION IN/OUT	MATERIAL	CODE	MEDIUM
						VPB
VPB 121	30	1,5-15	G 1/2-F	ALLUMINIO/ALUMINIUM	VPB	CO2
					VPB	H2 - CH4 - C3H8
					VPB	*
VPB 121	50	1,5-15	G 1/2-F	ALLUMINIO/ALUMINIUM	VPB	CO2
					VPB	H2 - CH4 - C3H8
					VPB	*
VPB 121	50	5-50	G 1/2-F	ALLUMINIO/ALUMINIUM	VPB	CO2
					VPB	H2 - CH4 - C3H8
					VPB	*
VPB 123	30	1,5-15	G 1-F	ALLUMINIO/ALUMINIUM	VPB	CO2
					VPB	H2 - CH4 - C3H8
					VPB	*
VPB 123	50	1,5-15	G 1-F	ALLUMINIO/ALUMINIUM	VPB	CO2
					VPB	H2 - CH4 - C3H8
					VPB	*
VPB 123	50	5-50	G 1-F	ALLUMINIO/ALUMINIUM	VPB	CO2
					VPB	H2 - CH4 - C3H8
					VPB	*
VPB 130	30	1,5-15	G 1 1/2-F	ALLUMINIO/ALUMINIUM	VPB	CO2
					VPB	H2 - CH4 - C3H8
					VPB	*
VPB 130	50	1,5-15	G 1 1/2-F	ALLUMINIO/ALUMINIUM	VPB	CO2
					VPB	H2 - CH4 - C3H8
					VPB	*
VPB 130	50	5-50	G 1 1/2-F	ALLUMINIO/ALUMINIUM	VPB	CO2
					VPB	H2 - CH4 - C3H8
					VPB	*

* Aria - N2 - He - Ar - Ar/CO2

generating the product code

valvola di blocco			
AA BB CC DD EE			
AA	Taglia + materiale / Size + material	01	121 OT58
		02	123 LL
		03	130 LL
		04	121 LL
		05	123 OT58
		06	130 OT58
BB	Attacchi / Connections	P0	G 1/2-F
		R0	G 1-F
		S0	G 1 1/2-F
CC	Pressione ingresso / Inlet pressure	E0	50 bar
DD	Tipologia di fluido / Fluid type	97	NBR
		98	EPDM
EE	Accessori / Accessories	00	Nessun accessorio

CODE COMPOSITION EXAMPLE

VPB# 01 P0 D0 97 00

VPB#: Pneumatic closing valve

01: Brass VPB 121

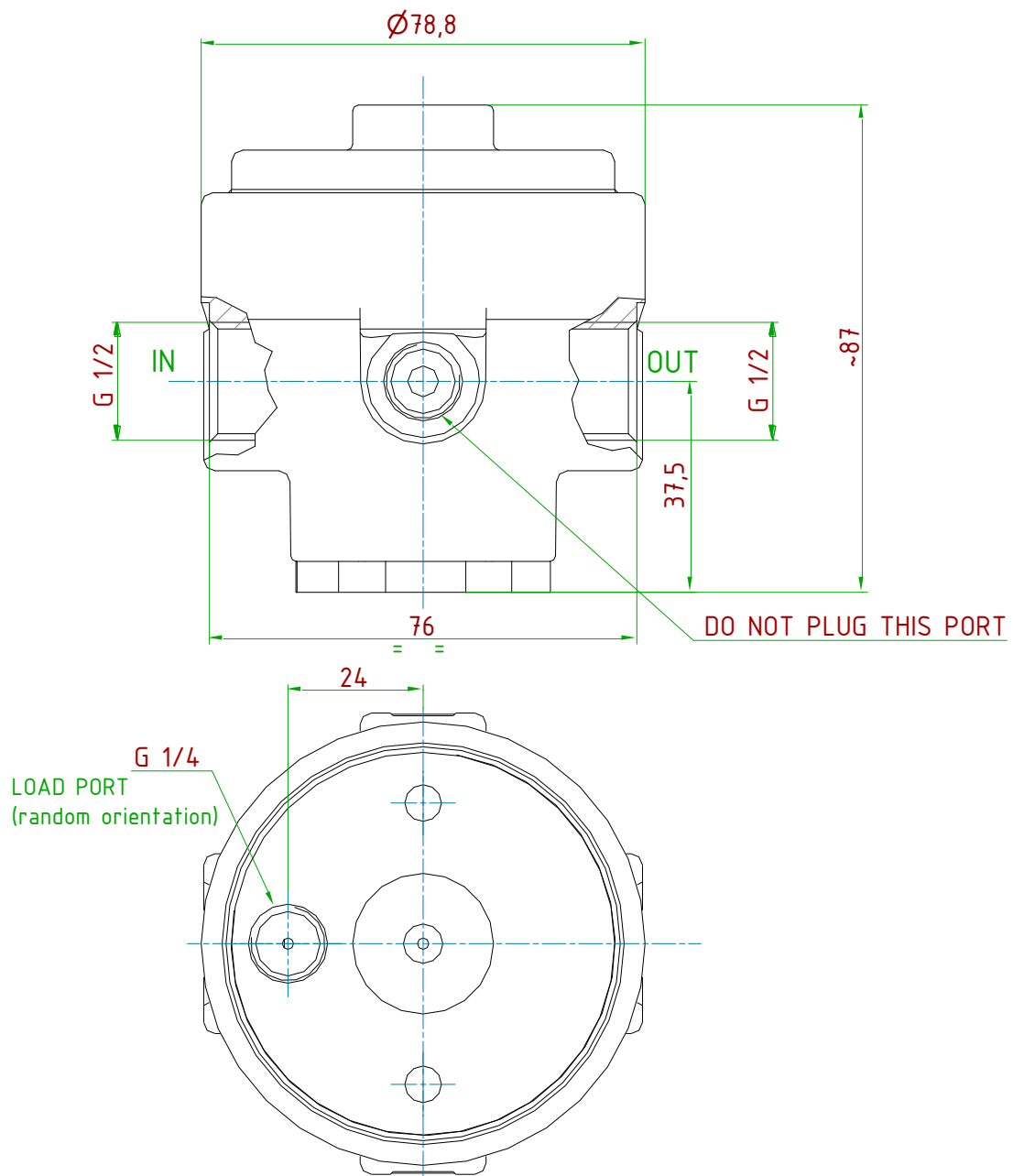
P0: G 1/2 – F connections

D0: Maximum inlet pressure 50 bar (725 psi), pilot pressure 1,5 – 15 bar (21,7-217 psi)

97: NBR gaskets

00: No accessories

technical drawings (all dimensions in [mm])



MAXIMUM INLET PRESSURE: 30 bar
MAXIMUM LOAD PRESSURE: 15 bar

VPB 121 BRASS/OTTONE

ID Insert Deal Srl

Strada dei Boschi, 40
20852 Villasanta (MB) Italia
tel. +39 039 302035
info@idinsertdeal.com
www.idinsertdeal.com

ID Insert Deal si riserva il diritto di cambiare le specifiche del prodotto senza preavviso.
ID Insert Deal reserves the right to change and/or modify product specifications without prior notice.

Insert Deal non si assume alcuna responsabilità per la scelta, uso e manutenzione di qualsiasi prodotto. La responsabilità per l'ideale scelta, uso e manutenzione di qualsiasi prodotto ID rimane interamente a carico dell'acquirente.

Insert Deal does not assume responsibility for selection, use and maintenance of any products. Responsibility for proper selection, use and maintenance of any ID products remains entirely to the purchaser.

Riproduzione vietata. Tutti i diritti riservati; nessuna parte del presente documento può essere riprodotta senza autorizzazione di ID Insert Deal Srl.
Reproduction forbidden. All rights reserved; the hereby document can't be reproduced, also partially, without the authorization of ID Insert Deal Srl.

ON-OFF VALVE_VPB_IT_00



Azienda con sistema di gestione qualità certificato.
certificato N° 50 100 9191
Company with certificated quality management system.
certificate N° 50 100 9191