

Air Release Valve - For Water Systems

Benefits & Features

- Water
- Media temperature: +80°C
- Cast Iron or 304 Stainless Steel bodies
- Evacuates system air in order to reduce noise
- Improve system performance
- Optional ball valve for open systems

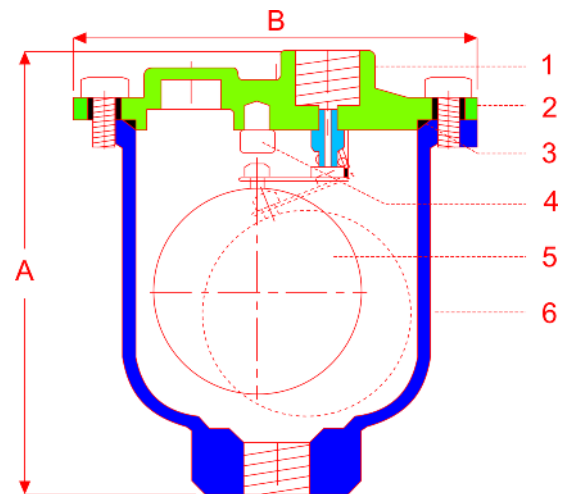


Specification

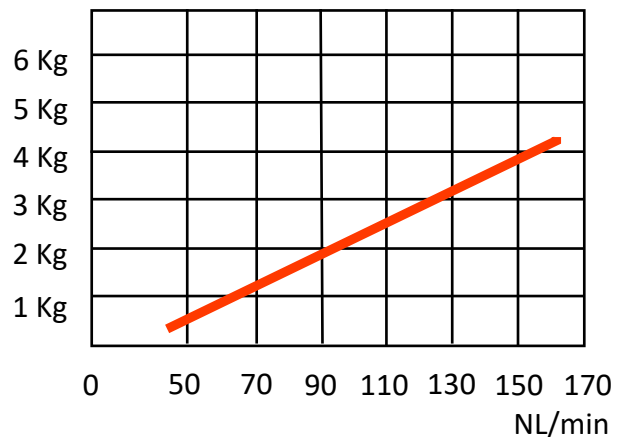
Configuration	Install vertically
Port Sizes	1/2" to 2" screwed ports
Body test pressure	21 Bar
Max. Applied pressure	15 Bar
Media	Water
Max. Temp	+ 80°C (NBR), or +150°C (Silicon)

Technical Data

	A	B	C	Body Test Pressure
P40	15	F	1/2"	21
P40	20	H	3/4"	21
P40	25	L	1"	21
P40	25	L	1 1/2"	21
P40	25	L	2"	21



Gate fully open, normal atmospheric pressure



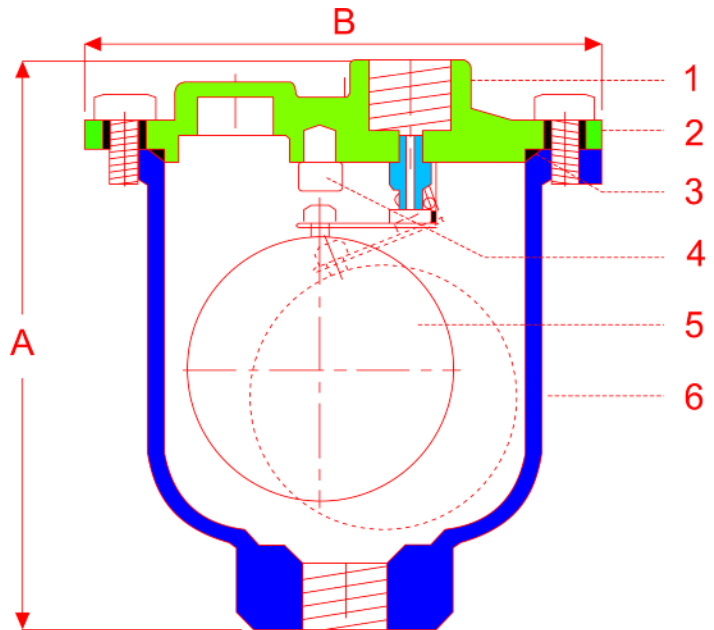
Materials

No.	Description	Materials	
		Cast Iron	Stainless Steel
1	Cover	Cast Iron	Stainless Steel
2	Fixed Bolt	Cast Iron	Stainless Steel
3	Sealing	NBR	NBR or Silicone (+150°C)
4	Plug	Cast Iron	Stainless Steel
5	Float Ball Set	Stainless Steel	Stainless Steel
6	Body	Cast Iron	Stainless Steel

Air Release Valve - For Water Systems

Weights & Dimensions

Port Size	Weight Kg	Dimensions mm	
		A	B
1/2"	1.9	131	120
3/4"	1.9	131	120
1"	1.9	131	120
1 1/2"	1.9	210	190
2"	1.9	210	190



Order Codes

A	Body	B	Ported Body	C	Seals (fluid temp. min / max)	D	Options
C	Cast Iron*	F	1/2" BSP	0	NBR (-10°C to + 80°C)	1	Ball Valve
H	304 Stainless Steel	H	3/4" BSP	S	SILICONE (-10°C to + 150°C)		
		L	1" BSP				
		O	1 1/2" BSP				
		P	2" BSP				

Install the P40 vertically,
at the highest part of the pipe system

