

EN20 – EN50

Double-stage modular decompression unit for oenological application



FEATURES

Dual inlet and single outlet decompression unit.

Inlet connection: W21,7 x 1/14" – M

Outlet connection: EN20 G 3/4 – F
EN50 G 1 – F

Inlet pressure up to 220 bar (3190 psi).

Outlet pressure adjustable starting from 5 mbar (0,072 psi).

Non return on-off valve for each inlet.

Two-stage decompression units EN20 and EN50 have their application in food, oenological and chemical industry.

Gauges accuracy class: 1,6.

The product complies with the directive 97/23/CE (PED).

SPECIFICATIONS

Weight: ~12,8 kg / ~28,3 lb

Working temperature: -20°C ÷ +60°C (-4° F ÷ 140° F)

Main valve leakage classification: VI bubble tight

Degree of protection: IP25

Flow coefficient: $K_v = 0,25 \text{ Nm}^3/\text{h}$ $C_v = 0,3 \text{ US gal/min}$

I° Stage regulator: R1200

II° stage regulator: R160

Balanced main valves.

Inlet pressure gauge, one for each side.

Outlet pressure gauge

Gauge for middle pressure between I° and II° stage

Gauges port G 1/4

MATERIALS

I° Stage

Body, bonnet and internal parts: brass

Adjusting spring: C85 (not in contact with the fluid)

Main valve spring: Steel, C85 (not in contact with the fluid)

Diaphragm: two coupled diaphragms NBR+PTFE, PTFE in contact with the fluid

O-rings: EPDM

Main valve gasket: PA 6.6

II° Stage

Body: anodized aluminium

Bonnet: stainless steel AISI 316L

Internal parts: Brass/AISI 316L

Adjusting spring: C85 (Not in contact with the fluid)

Diaphragm: two coupled diaphragms NBR+PTFE, PTFE in contact with the fluid

O-Rings: EPDM

Main valve gasket: EPDM

Frame: AISI 304 stainless steel

ACCESSORIES

Overpressure /depression safety valve for pressure vessel

SPARE PARTS

Gauges

Complete kit: gaskets, assembled diaphragms, filters, main valves

available model types

Quadri di decompressione

Decompression units

Quadri di decompressione modulari a doppio stadio per uso enologico

Double-stage decompression unit for enologic application

Esecuzione con apparecchi a vista in ottone cromato

In sight features chromed brass regulators

TYPE	PS bar	P.Out bar	FLOW	CONNECTION IN	CONNECTIO N	CODE	MEDIUM
							EN 20
EN 20/A	80	5-45	20 Nm ³ /h	W 21,7 x 1/14" - M	G 3/4-F	QEN#11L0	CO2
	220			W 21,7 x 1/14" - M		QEN#11J0	N2
EN 20/B	80	20-200	20 Nm ³ /h	W 21,7 x 1/14" - M	G 3/4-F	QEN#11L0	CO2
	220			W 21,7 x 1/14" - M		QEN#11J0	N2
EN 20/C	80	150-700	20 Nm ³ /h	W 21,7 x 1/14" - M	G 3/4-F	QEN#11L0	CO2
	220			W 21,7 x 1/14" - M		QEN#11J0	N2

TYPE	PS bar	P.Out bar	FLOW	CONNECTION IN	CONNECTIO N	CODE	MEDIUM
							EN 50
EN 50/A	80	5-45	50 Nm ³ /h	W 21,7 x 1/14" - M	G 1-F	QEN#12L0	CO2
	220			W 21,7 x 1/14" - M		QEN#12J0	N2
EN 50/B	80	20-200	50 Nm ³ /h	W 21,7 x 1/14" - M	G 1-F	QEN#12L0	CO2
	220			W 21,7 x 1/14" - M		QEN#12J0	N2
EN 50/C	80	150-700	50 Nm ³ /h	W 21,7 x 1/14" - M	G 1-F	QEN#12L0	CO2
	220			W 21,7 x 1/14" - M		QEN#12J0	N2

generating the product code

QUADRI ENOLOGIA			
A B CC DD EE F GG			
A	Materiale / Material	1	Ottone cromato + LL
B	Taglia / Size	1	EN 20
		2	EN 50
CC	Pressione ingresso / Inlet pressure	J0	PS 220 bar
		L0	PS 80 bar
DD	Intervallo uscita / Outlet range	N0	MOD A Pout 5 - 45 mbar
		P0	MOD B Pout 20 - 200 mbar
		Q0	MOD C Pout 150 - 700 mbar
EE	Tipologia di fluido / Fluid type	98	EPDM
F	Marchiato / Marked	I	ID
GG	Accessori / Accessories	00	Nessun accessorio

CODE COMPOSITION EXAMPLE

QEN# 1 1 J0 P0 98 I 00

QEN#: Oenological decompression unit

1: Chrome-plated brass + aluminium

1: EN20

J0: Maximum inlet pressure 220 bar (3190 psi)

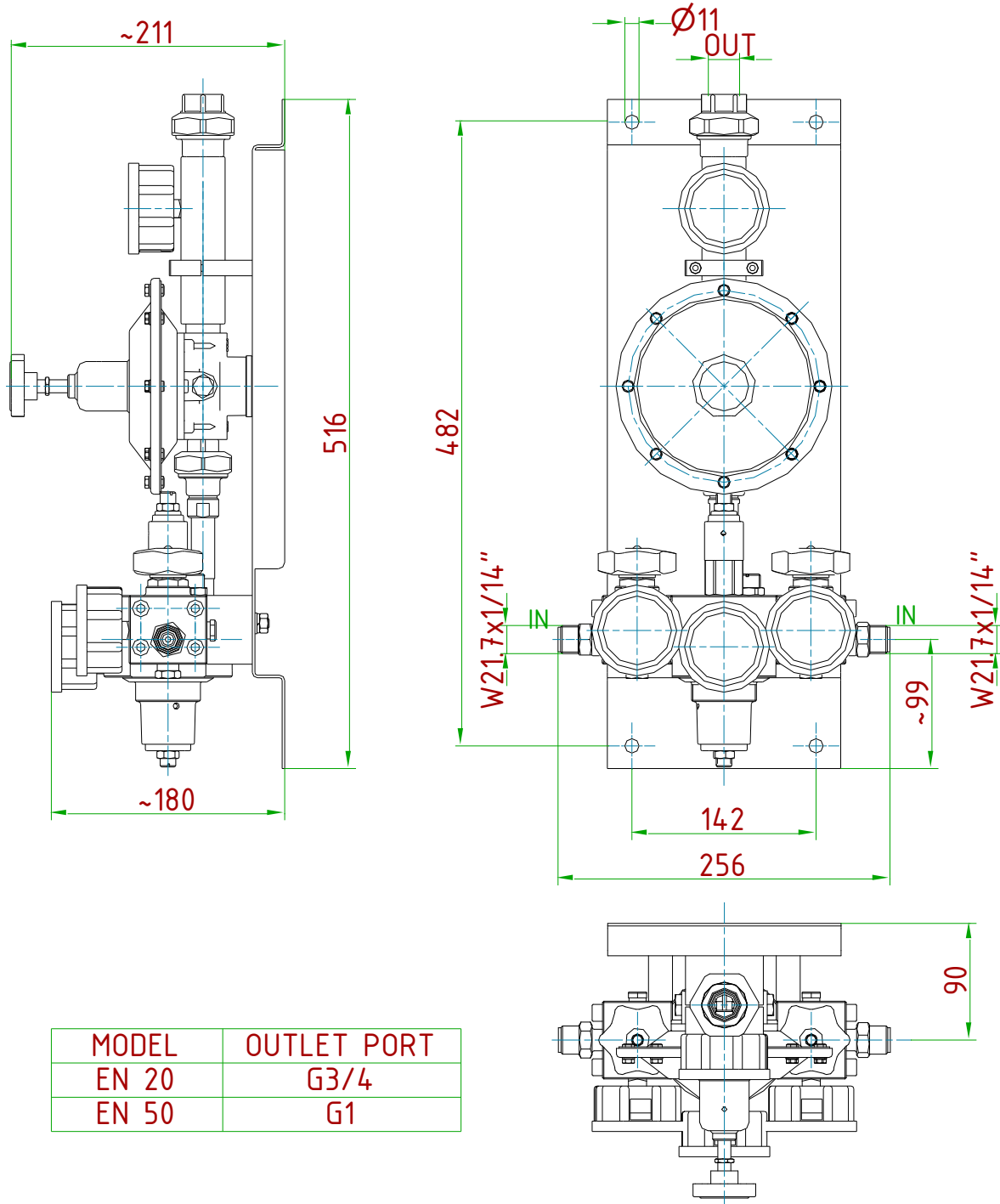
P0: Outlet pressure range=20 - 200 mbar (0,29-2,9 psi)

98: EPDM gaskets

I: Insert Deal

00: No accessories

technical drawings (all dimensions in mm)



MODEL	OUTLET PORT
EN 20	G3/4
EN 50	G1

ID Insert Deal Srl

Strada dei Boschi, 40
20852 Villasanta (MB) Italia
tel. +39 039 302035
info@idinsertdeal.com
www.idinsertdeal.com

ID Insert Deal si riserva il diritto di cambiare le specifiche del prodotto senza preavviso.
ID Insert Deal reserves the right to change and/or modify product specifications without prior notice.

Insert Deal non si assume alcuna responsabilità per la scelta, uso e manutenzione di qualsiasi prodotto. La responsabilità per l'ideale scelta, uso e manutenzione di qualsiasi prodotto ID rimane interamente a carico dell'acquirente.

Insert Deal does not assume responsibility for selection, use and maintenance of any products. Responsibility for proper selection, use and maintenance of any ID products remains entirely to the purchaser.

Riproduzione vietata. Tutti i diritti riservati; nessuna parte del presente documento può essere riprodotta senza autorizzazione di ID Insert Deal Srl.
Reproduction forbidden. All rights reserved; the hereby document can't be reproduced, also partially, without the authorization of ID Insert Deal Srl.

QUADRO DI DECOMPRESSIONE_QEN(EN20-EN50)_IT_00



Azienda con sistema di gestione qualità certificato.
certificato N° 50 100 9191
Company with certificated quality management system.
certificate N° 50 100 9191