

R2034/160

Double-stage decompression unit for oenological application



FEATURES

Inlet connection suitable for cylinders or for ID Insert Deal manifolds.

Outlet connection: G 3/4 – F.

Inlet pressure up to 220 bar (3190 psi).

Outlet pressure adjustable starting from 5 mbar (0,072 psi)

Decompression units R2034/160 have their application in food, oenological and chemical industry.

The product complies with the directive 97/23/CE (PED).

SPECIFICATIONS

Weight: ~2,9 kg / ~6,4 lb

Working temperature: -20°C ÷ +60°C (-4° F ÷ 140° F)

Main valve leakage classification: VI bubble tight

Degree of protection: IP25

Flow coefficient: $K_v = 0,25 \text{ Nm}^3/\text{h}$ $C_v = 0,3 \text{ US gal/min}$

I° Stage regulator: R2034

II° stage regulator: R160

Balanced main valve

Inlet and outlet pressures gauge, G 1/4 ports

MATERIALS

I° Stage

Body, bonnet and internal parts: brass

Main valve spring: C85 (not in contact with the fluid)

O-rings: EPDM

Main valve gasket: PA 6.6

II° Stage

Body: anodized aluminium

Bonnet: stainless steel AISI 316L

Internal parts: Brass/AISI 316L

Adjusting spring: C85 (not in contact with the fluid)

Diaphragm: two coupled diaphragms NBR+PTFE, PTFE in contact with the fluid

O-Rings: EPDM

Main valve gaskets: EPDM

ACCESSORIES

Wall mounting bracket kit: M11203

Overpressure / depression safety valve for pressure vessel.

SPARE PARTS

Gauges

Complete kit: assembled diaphragm, filter, main valves, O-Rings

available model types

Quadri di decompressione Decompression units

Quadri di decompressione a doppio stadio per uso enologico Decompression unit for oenologic application

Esecuzione con apparecchi a vista in ottone cromato
In sight features chromed brass regulators

TYPE	PS bar	P.Out bar	FLOW	CONNECTION OUT	CODE	MEDIUM
						R2034/160
R 2034/160 A	80	5-45	20 Nm ³ /h	G 3/4-F	QEN#13L0	CO2
	220				QEN#13J0	N2
R 2034/160 B	80	20-200	20 Nm ³ /h	G 3/4-F	QEN#13L0	CO2
	220				QEN#13J0	N2
R 2034/160 C	80	150-700	20 Nm ³ /h	G 3/4-F	QEN#13L0	CO2
	220				QEN#13J0	N2

MEDIUM	CONNECTION IN	UNI
CO2	Bombola Rampa / Bottle Manifold	2-UNI 11144
N2	Bombola / Bottle	5-UNI 11144
	Rampa / Manifold	2-UNI 11144

ESECUZIONI DIVERSE DA STANDARD / DIFFERENT FEATURES FROM STANDARD

Staffa montata/With bracket

generating the product code

QUADRI ENOLOGIA			
A B CC DD EE F GG			
A	Materiale / Material	1	Ottone cromato + LL
B	Taglia / Size	3	R2034/160
CC	Pressione ingresso / Inlet pressure	J0	PS 220 bar
		L0	PS 80 bar
DD	Intervallo uscita / Outlet range	N0	MOD A Pout 5 - 45 mbar
		P0	MOD B Pout 20 - 200 mbar
		Q0	MOD C Pout 150 - 700 mbar
EE	Tipologia di fluido / Fluid type	98	EPDM
		U2	2 - UNI 11144
		U5	5 - UNI 11144
F	Marchiato / Marked	I	ID
GG	Accessori / Accessories	00	Nessun accessorio

CODE COMPOSITION EXAMPLE

QEN# 1 3 J0 N0 U5 I 00

QEN#: Oenological decompression unit

1: Chrome-plated brass + aluminium

3: R2034/160

J0: Maximum inlet pressure 220 bar (3190 psi)

N0: Outlet pressure range 5 - 45 mbar (0,072-0,65 psi)

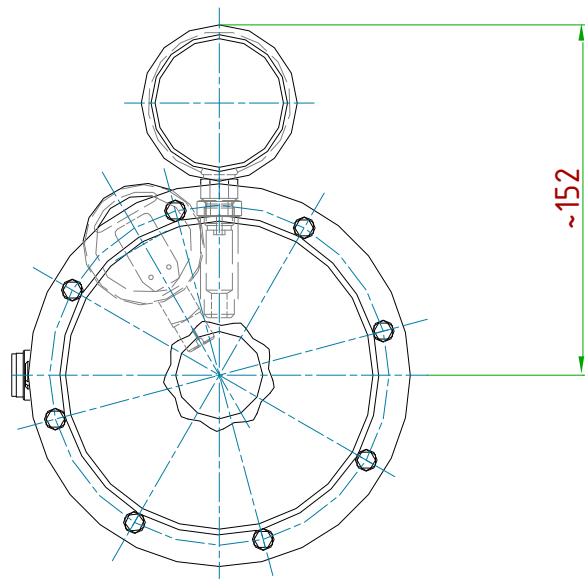
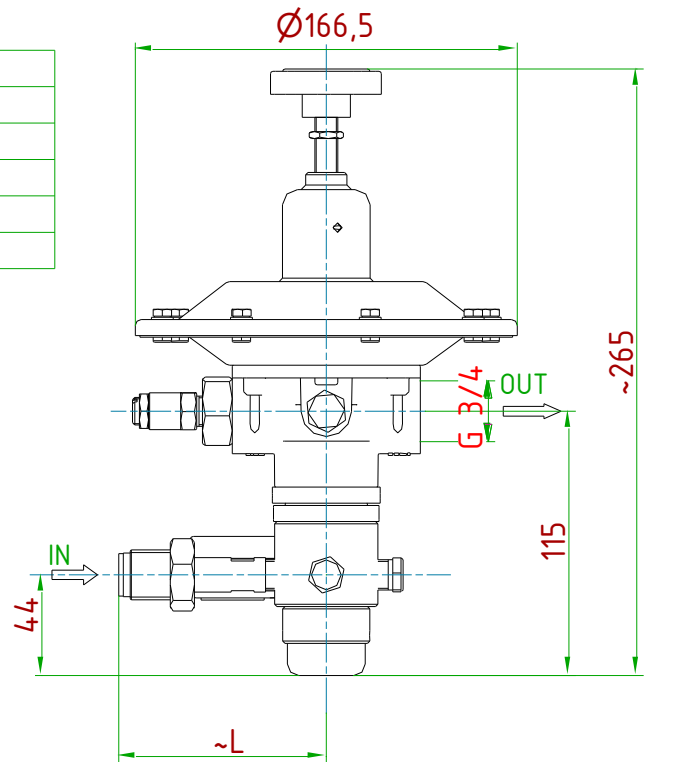
U5: 5-UNI11144 (N₂) Connections

I: Insert Deal

00: No accessories

technical drawings (all dimensions in mm)

INLET CONNECTION	L
W21.7 x 1/14"-M	~56
CGA 580	~106
2-UNI11144	~83
5-UNI11144	~91
8-UNI11144	~96



ID Insert Deal Srl

Strada dei Boschi, 40
20852 Villasanta (MB) Italia
tel. +39 039 302035
info@idinsertdeal.com
www.idinsertdeal.com

ID Insert Deal si riserva il diritto di cambiare le specifiche del prodotto senza preavviso.
ID Insert Deal reserves the right to change and/or modify product specifications without prior notice.

Insert Deal non si assume alcuna responsabilità per la scelta, uso e manutenzione di qualsiasi prodotto. La responsabilità per l'ideale scelta, uso e manutenzione di qualsiasi prodotto ID rimane interamente a carico dell'acquirente.

Insert Deal does not assume responsibility for selection, use and maintenance of any products. Responsibility for proper selection, use and maintenance of any ID products remains entirely to the purchaser.

Riproduzione vietata. Tutti i diritti riservati; nessuna parte del presente documento può essere riprodotta senza autorizzazione di ID Insert Deal Srl.
Reproduction forbidden. All rights reserved; the hereby document can't be reproduced, also partially, without the authorization of ID Insert Deal Srl.

DECOMPRESSION UNIT_QEN(R2034.160)_EN_00



Azienda con sistema di gestione qualità certificato.
certificato N° 50 100 9191
Company with certificated quality management system.
certificate N° 50 100 9191