

# R1200

Brass high pressure regulator,  
for compressed air, gas and liquids



## FEATURES

High pressure; standard version inlet pressure up to 220 bar (3190 psi), higher pressure for special versions. Ideal for industrial application and for welding equipment.

Inlet connection by nose nipple and hexagon nut G $\frac{3}{4}$ -F. Other connections available on request.

The main valve is balanced for outlet pressure up to 50 bar, in order to ensure a constant outlet pressure when varying the upstream pressure.

Outlet pressure up to 15 bar (218 psi) is controlled by a diaphragm; greater outlet pressures are controlled by a piston.

Available the ATEX 2014/34/EU version.

Brand  $\text{CE} \text{ II2GclICTX}$

$\text{CE} \text{ II2DcIIICTX}$ .

For use in potentially explosive atmospheres zones: 1, 21, 2, 22 (not for mines and zone 0).

Available the EAC-EX TP TC 012/2011 versions for the Russian market.

The product complies with the directive 2014/68/EU PED.

## **SPECIFICATIONS**

Gauges: accuracy class 1,6

Regulator weight: ~4.5 Kg (~9,9 lb)

Standard version operating temperature: -20°C ÷ +60°C (-4°F ÷ 140°F)

Main valve leakage classification: VI (bubble tight)

Flow coefficient:  $K_v = 0.25 \text{ Nm}^3/\text{h}$  ( $C_v = 0,29 \text{ US gal/min}$ )

Degree of protection: IP25

## **MATERIALS**

Body and bonnet: brass

Internal parts: brass

Adjusting spring: C85 (not in contact with the fluid)

Main valve spring: C85 (not in contact with the fluid)

Diaphragm (for outlet pressure up to 15 bar): two coupled diaphragms NBR+PTFE, PTFE in contact with the fluid

Piston (for greater outlet pressure): brass

O-rings: EPDM or FPM depending on the fluid (other compounds available on request)

Main valve gasket: PA 6.6 (EPDM for PS 15 bar)

## **ACCESSORIES**

Ring-nut

Kit bracket and ring-nut

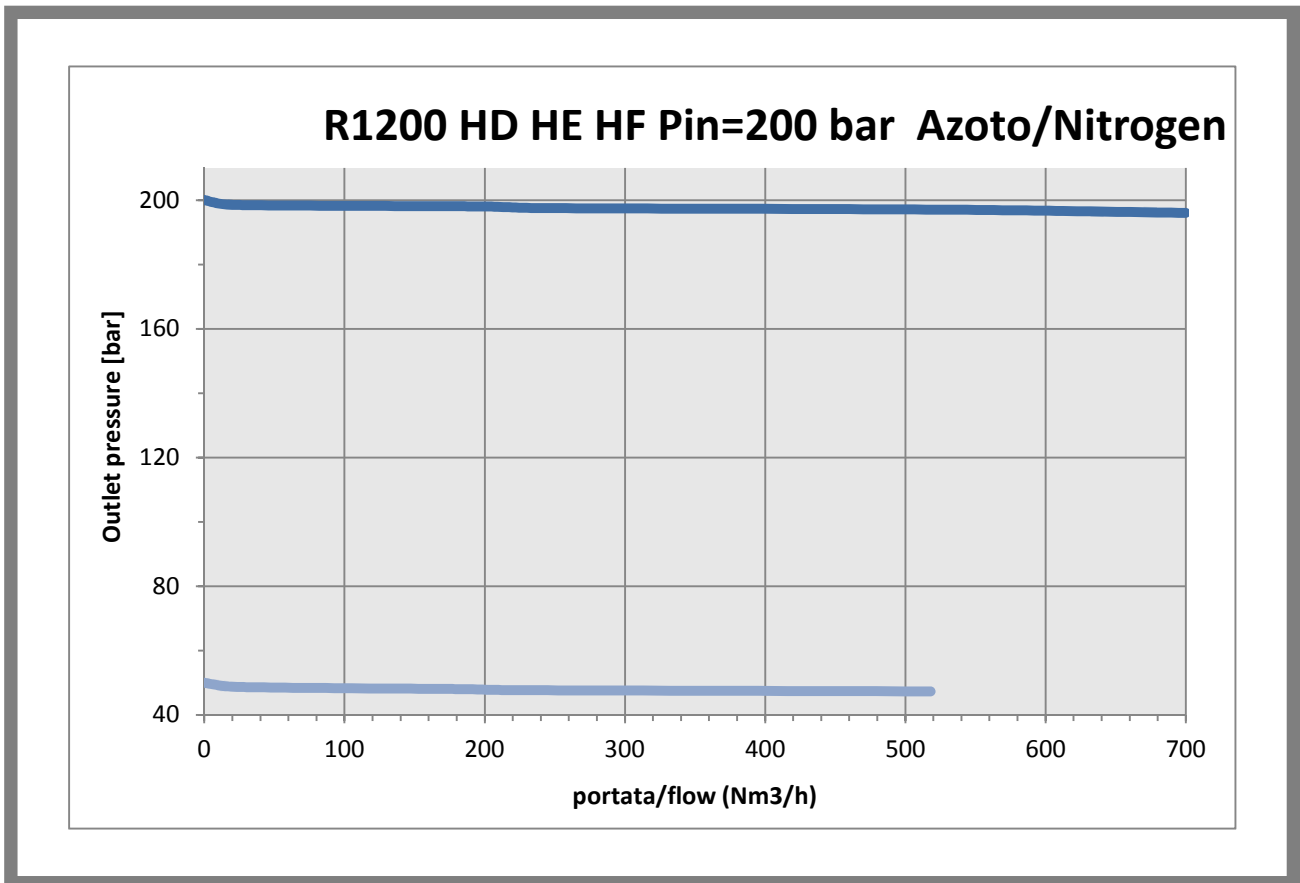
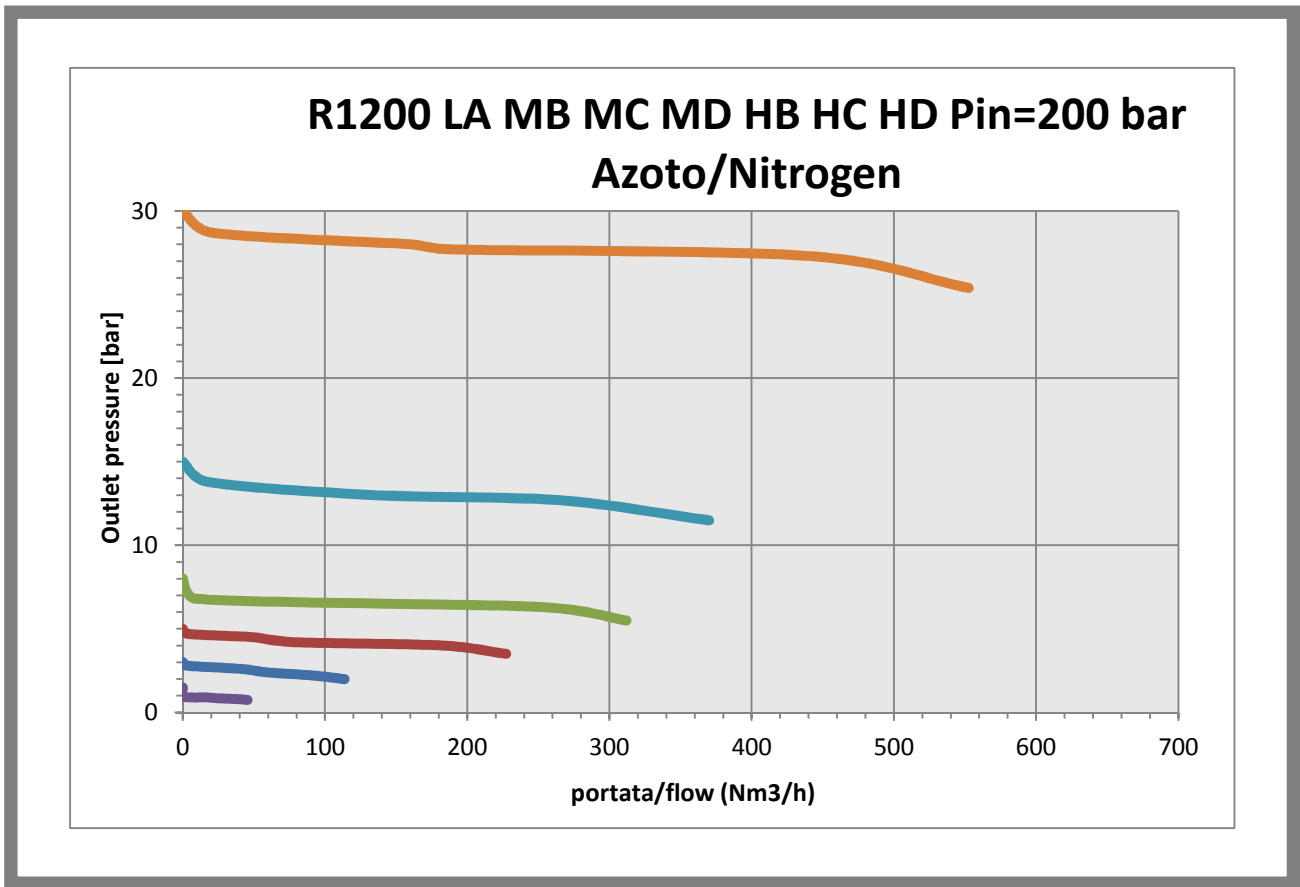
## **SPARE PARTS**

Gauges

Relief valve

Complete kit: gaskets, assembled diaphragm, filter, main valve, O-rings

flow charts



## generating the product code

REGOLATORE R1200			
AA BB CC DD E FF			
AA	Attacchi / Connections	02	G 3/4-F Girevole
BB	Pressione d'ingresso / Inlet pressure	B0	PS 15 bar
		J0	PS 220 bar
		L0	PS 80 bar
CC	Intervallo d'uscita/ Outlet range	A0	Pout 0,2 - 1,5 bar <sup>(B)</sup>
		E0	Pout 1,5 - 15 bar <sup>(B)</sup>
		FO	Pout 3-30 bar <sup>(B)</sup>
		G0	Pout 5-50 bar <sup>(B)</sup>
		V0	Pout 20-200 bar
		X0	Pout 10-100 bar
DD	Tipologia di fluido / Fluid type	15	O2 PED Classe III
		98	EPDM
		99	FPM
E	Marchiato / Marked	I	ID
		Z	Dir ATEX 2014/34/UE
FF	Accessori/Accessories	00	Nessun accessorio
		05	Pretarato
		11	Convogliata

(B): Regolatore bilanciato/ Balanced regulator

## CODE COMPOSITION EXAMPLE

**1200# 02 J0 E0 98 I 00**

**1200#:** Regulator R1200 in brass

**02:** Nose nipple and G3/4-F nut

**J0:** Maximum inlet pressure 220 bar

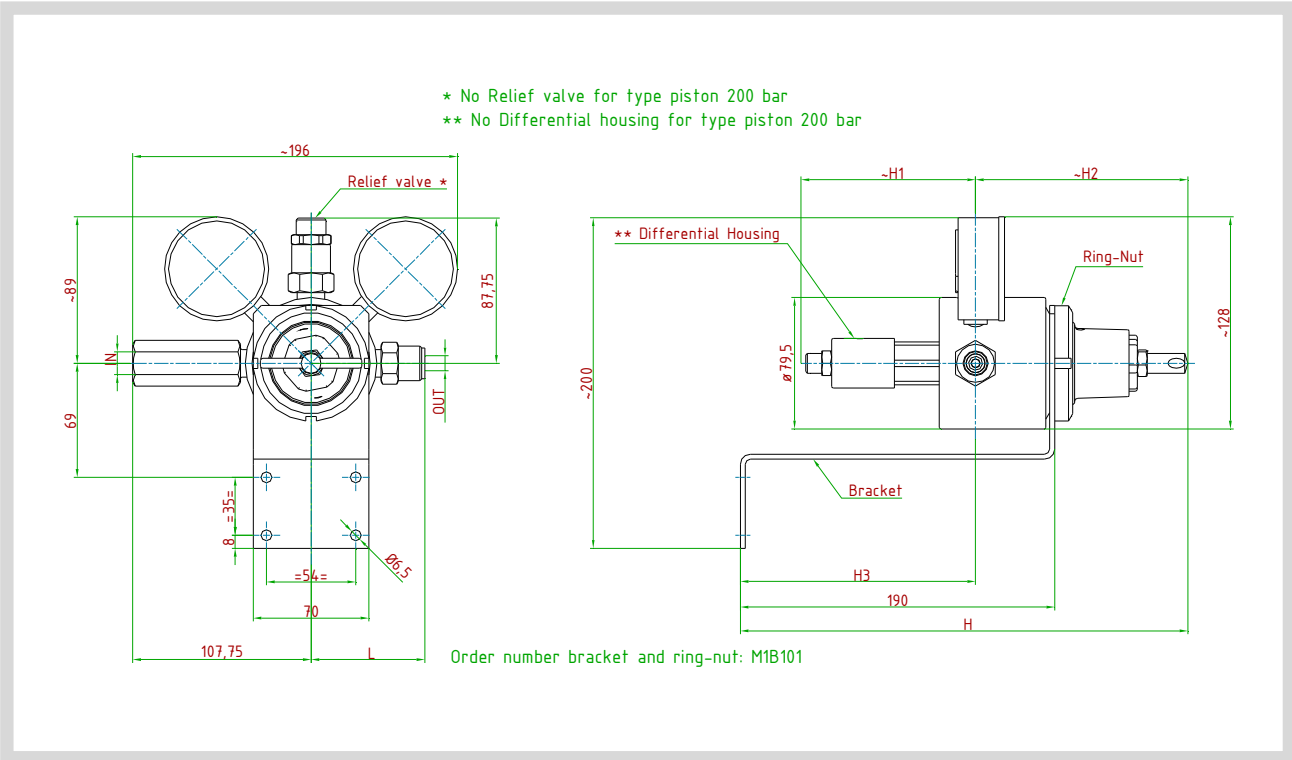
**E0:** Outlet pressure range 1,5-15 bar

**98:** EPDM gaskets

**I:** Insert Deal

**00:** No accessories

# technical drawings (all dimensions in mm)



## **ID Insert Deal Srl**

Strada dei Boschi, 40  
20852 Villasanta (MB) Italia  
tel. +39 039 302035  
[info@idinsertdeal.com](mailto:info@idinsertdeal.com)  
[www.idinsertdeal.com](http://www.idinsertdeal.com)

ID Insert Deal si riserva il diritto di cambiare le specifiche del prodotto senza preavviso.  
ID Insert Deal reserves the right to change and/or modify product specifications without prior notice.

Insert Deal non si assume alcuna responsabilità per la scelta, uso e manutenzione di qualsiasi prodotto. La responsabilità per l'ideale scelta, uso e manutenzione di qualsiasi prodotto ID rimane interamente a carico dell'acquirente.

Insert Deal does not assume responsibility for selection, use and maintenance of any products. Responsibility for proper selection, use and maintenance of any ID products remains entirely to the purchaser.

Riproduzione vietata. Tutti i diritti riservati; nessuna parte del presente documento può essere riprodotta senza autorizzazione di ID Insert Deal Srl.  
Reproduction forbidden. All rights reserved; the hereby document can't be reproduced, also partially, without the authorization of ID Insert Deal Srl.

**PRESSURE REGULATOR\_R1200\_EN\_04**



Azienda con sistema di gestione qualità certificato.  
certificato N° 50 100 9191  
Company with certificated quality management system.  
certificate N° 50 100 9191