

R126/DN100-R126/DN80 LL

Aluminium pressure regulator,
for non corrosive gas



FEATURES

Pressure regulator for inlet pressure up to 20 bar (290 psi).

Flanged connections screwed to the body EN1092-01/01A/DN80/PN40 e EN1092-01/01A/DN100/PN40.

Different available flanges "EN" or "ASME".

Outlet pressure is controlled by a rubber diaphragm.

Balanced main valve.

The product complies with the 2014/68/EU PED directive.

Gauges for inlet and outlet pressure (accuracy class 1.6)

Available the EAC TP TC 032/2013 (only for dome loaded execution) or EAC-EX TP TC 012/2011 versions for the Russian market.

Adjusting spring for outlet pressure 0.2÷1.5 bar and 0.6÷6 bar.

Built in pilot regulator for outlet pressure 1.5÷15 bar.

SPECIFICATIONS

Weight EN1092-01/01A/DN80/PN40: ~52 kg (~115 lb)

Weight EN1092-01/01A/DN100/PN40: ~57 kg (~126 lb)

Operating temperature: -20°C ÷ +60°C (-4 °F ÷ +140 °F) for standard version

Main valve leakage: VI (bubble tight)

Degree of protection: IP25

G¼ gauge ports, flow from left to right

MATERIALS

Body: aluminium

Bonnet: aluminium

Flanges: AISI 316L

Pilot regulator: brass (only for outlet pressure 1.5÷15 bar)

Internal parts: brass

Main valve spring: C85

Adjusting spring: C85 (not in contact with the fluid)

Diaphragm: two coupled diaphragms in Neoprene and PTFE (PTFE in contact with the fluid)

O-Ring: NBR (different compounds available on request)

Main valve gasket: NBR (different compounds available on request)

ACCESSORIES

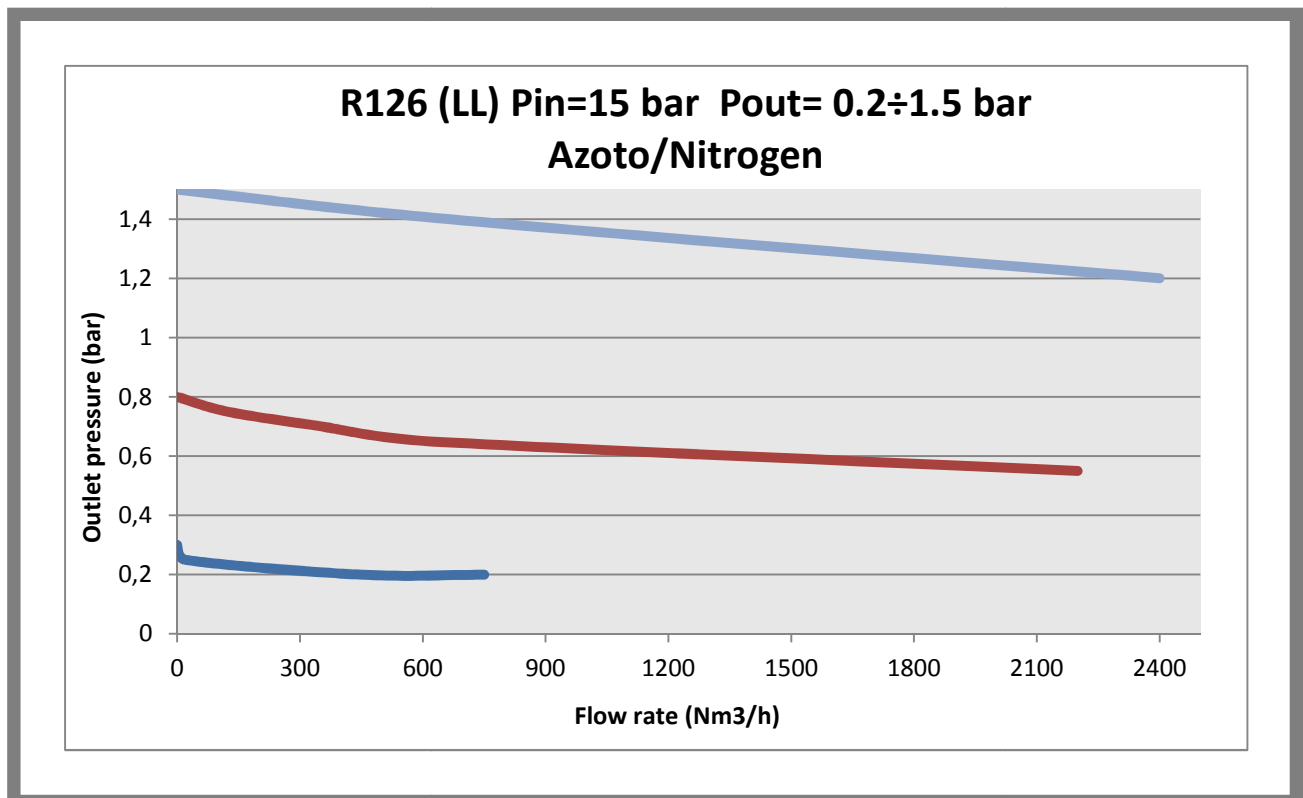
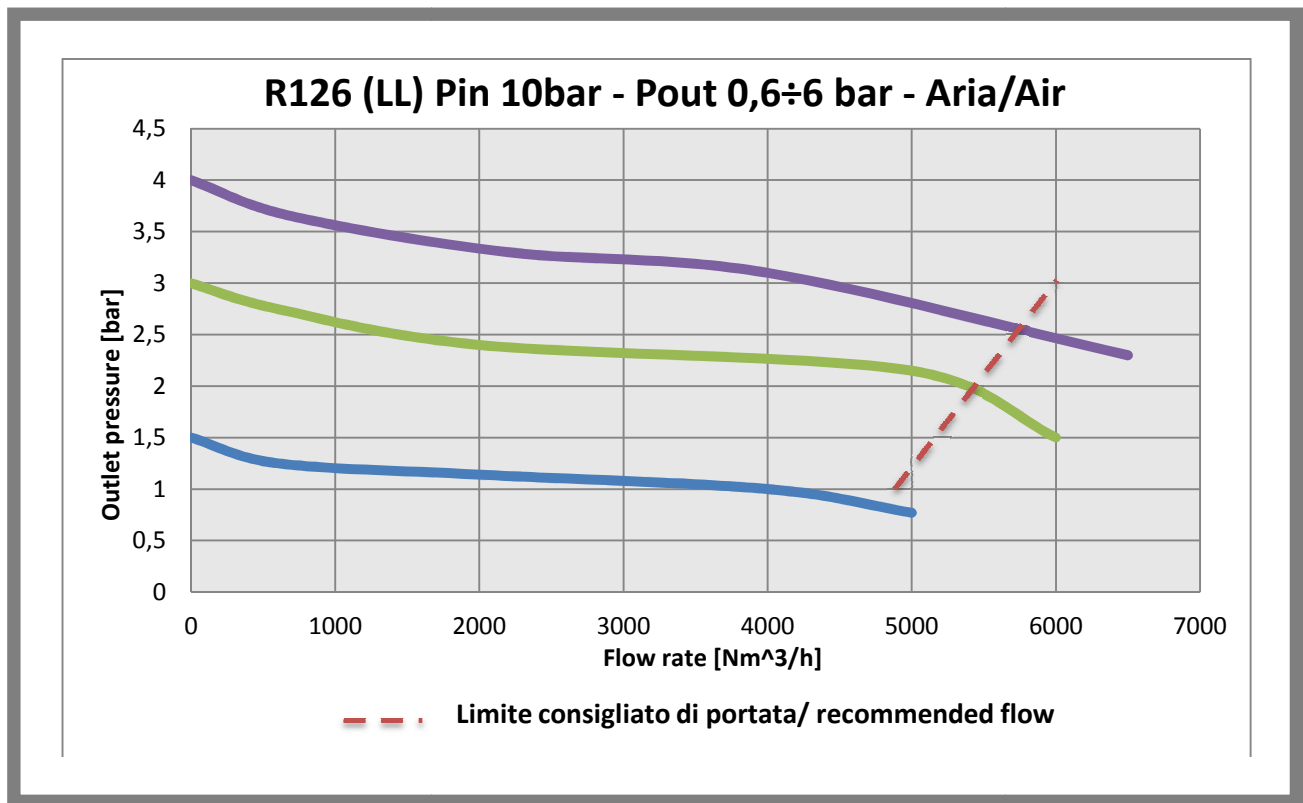
Overpressure relieving function (only for compressed air)

SPARE PARTS

Gauges

Complete kit: assembled diaphragm, main valve, o-rings

flow charts



generating the product code

R126 LL			
AA BB CC DD E FF			
AA	Attacchi / Connections	I0	IN/OUT EN1092-01/01A/DN80/PN 40
		K0	IN/OUT EN1092-01/01A/DN100/PN 40
BB	Pressione ingresso / Inlet pressure	C0	20 bar
CC	Intervallo uscita / Outlet range	A0	A - Pout 0,2 - 1,5 bar
		E0	D Pout 1,5 - 15 bar
		H0	C - Pout 0,6 - 6 bar
DD	Tipologia di fluido / Fluid type	97	NBR CAT I
E	Marchiato / Marked	I	ID
FF	Accessori / Accessories	00	Nessun accessorio

CODE COMPOSITION EXAMPLE

2126#K0 C0 H0 97 I 00

2126#: R126 LL pressure regulator

K0: IN/OUT EN1092-01/01A/DN100/PN40 flanges

C0: maximum inlet pressure 20 bar

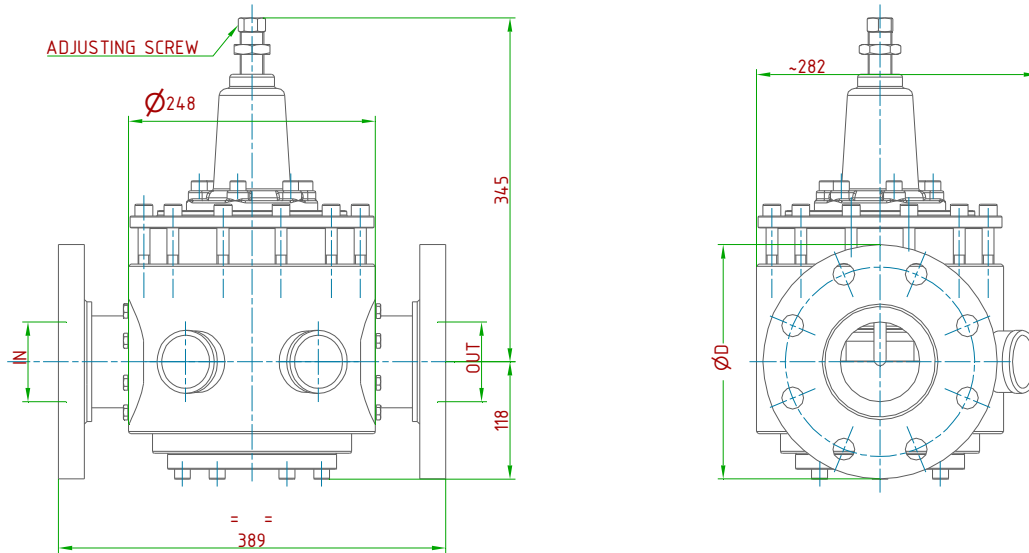
H0: outlet pressure range 0.6-6 bar

97: NBR gaskets

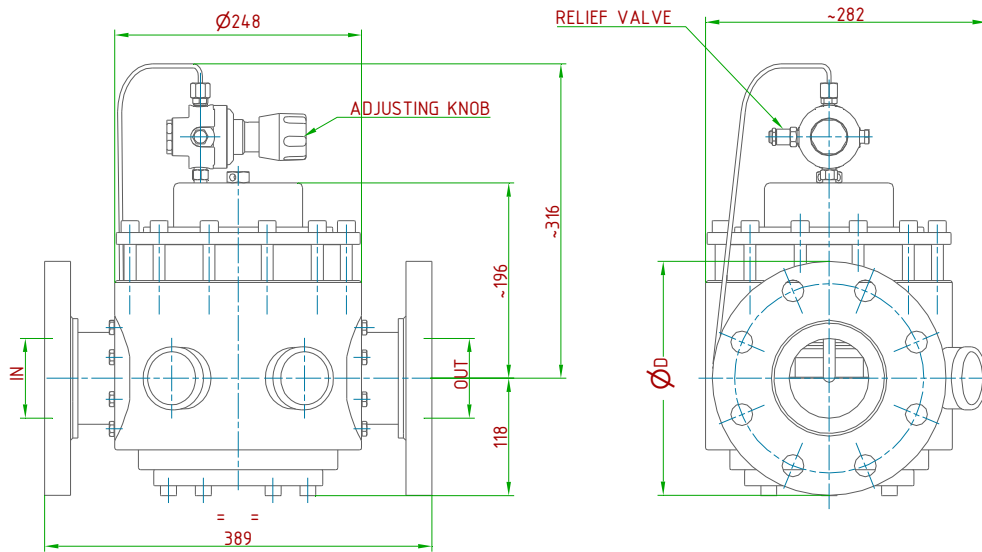
I: ID

00: no accessories

technical drawings (all dimensions in mm)



MODEL	D
R126 EN1092-1/01A/DN100/PN40	235 mm
R126 EN1092-1/01A/DN80/PN40	200 mm



ID Insert Deal Srl

Strada dei Boschi, 40
20852 Villasanta (MB) Italia
tel. +39 039 302035
info@idinsertdeal.com
www.idinsertdeal.com

ID Insert Deal si riserva il diritto di cambiare le specifiche del prodotto senza preavviso.
ID Insert Deal reserves the right to change and/or modify product specifications without prior notice.

Insert Deal non si assume alcuna responsabilità per la scelta, uso e manutenzione di qualsiasi prodotto. La responsabilità per l'ideale scelta, uso e manutenzione di qualsiasi prodotto ID rimane interamente a carico dell'acquirente.

Insert Deal does not assume responsibility for selection, use and maintenance of any products. Responsibility for proper selection, use and maintenance of any ID products remains entirely to the purchaser.

Riproduzione vietata. Tutti i diritti riservati; nessuna parte del presente documento può essere riprodotta senza autorizzazione di ID Insert Deal Srl.
Reproduction forbidden. All rights reserved; the hereby document can't be reproduced, also partially, without the authorization of ID Insert Deal Srl.

PRESSURE REGULATOR_2126(R126.DN100LL-R126.DN80LL)_EN_02



Azienda con sistema di gestione qualità certificato.
certificato N° 50 100 9191
Company with certificated quality management system.
certificate N° 50 100 9191