

R3130 – R3130/2"

Stainless steel AISI 316L pressure regulator,
for compressed air, gas and liquid



FEATURES

Pressure regulator for inlet pressure up to 50 bar (725 psi).

Connections by flanges screwed to the body.

R3130 1 ½"-GF

R3130/2" 2"-GF

Connections with EN or Asme flanges available on request.

Outlet pressure is controlled by a stainless steel AISI 316L piston.

Available the ATEX 2014/34/EU version.

Brand $\text{CE} \text{ II 2 Gc II CTX}$

$\text{CE} \text{ II 2 Dc II CTX}$.

For use in potentially explosive atmospheres zones: 1, 21, 2, 22 (not for mines and zone 0).

Available the EAC TP TC 032/2013 or EAC-EX TP TC 012/2011 versions for the Russian market.

The product complies with the directive 2014/68/EU PED.

Gauge for outlet pressure, accuracy class 1.6.

SPECIFICATIONS

Weight: ~19.5 Kg (~43 lb)

Standard version operating temperature: -20°C ÷ +60°C (-4°F ÷ +140°F)

Main valve leakage classification: VI (bubble tight)

Flow coefficient: Kv= 12.6 Nm³/h Cv = 14,7 US gal/min

Degree of protection: IP25

G1/4 port for gauge on both sides

MATERIALS

Body: stainless steel AISI 316L

Bonnet: stainless steel AISI 316L

Internal parts: stainless steel AISI 316L

Main valve spring: stainless steel AISI 302

Adjusting spring: C85 nickel plated NiP/Fe 15 µm, not in contact with the fluid

Piston: stainless steel AISI 316L

O-Rings: FPM (other compounds available on request)

Main valve gasket: FPM for inlet pressure up to 30 bar
 PUR for greater inlet pressure
 (other compounds available on request)

ACCESSORIES

Pilot operated version, pressure setpoint to be controlled by a pilot regulator

Kit bracket + screws

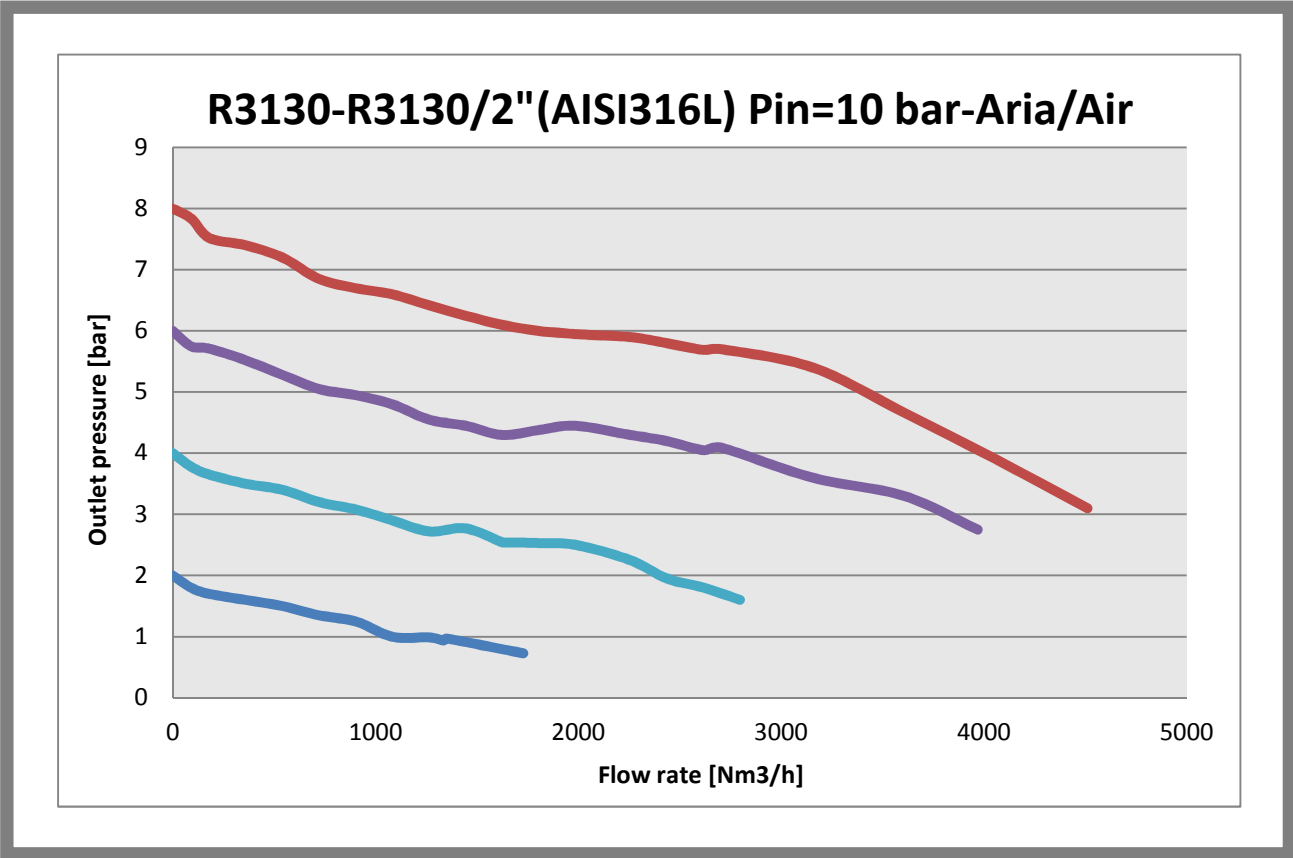
Overpressure relieving function, only for compressed air version

SPARE PARTS

Gauge

Complete kit: net filter, complete main valve, O-rings.

flow charts



generating the product code

R3130 AISI 316 L			
AA BB CC DD E F GG			
AA	Attacchi / Connections	S0	G 1"1/2-F
		T0	G 2-F
BB	Pressione d'ingresso / Inlet pressure	D0	30 bar
		E0	50 bar
CC	Intervallo d'uscita/ Outlet range	A0	MOD A Pout 0,2 - 1,5 bar
		B0	MOD B Pout 0,3 - 3 bar
		D0	MOD C Pout 0,8 - 8 bar
		E0	MOD F Pout 1,5 -15 bar
		F0	MOD G Pout 3 - 30 bar
		G0	MOD L Pout 5 - 50 bar
DD	Tipologia di fluido / Fluid type	15	O2 PED CAT II
		98	EPDM CAT I
		99	FPM CAT I
E	Pilotato / Pilot operated	n	Non pilotato
		p	Pilotato
FF	Marchiato / Marked	I	ID
		Z	Dir ATEX 2014/34/EU
GG	Accessori/Accessories	00	Nessun accessorio

CODE COMPOSITION EXAMPLE

3130#S0 D0 D0 15 N I 00

3130#: Regulator R130 AISI 316

S0: Connection G 1 1/2-F

D0: Maximum inlet pressure 30 bar

D0: Outlet pressure range 0,8-8 bar

15: Oxygen version

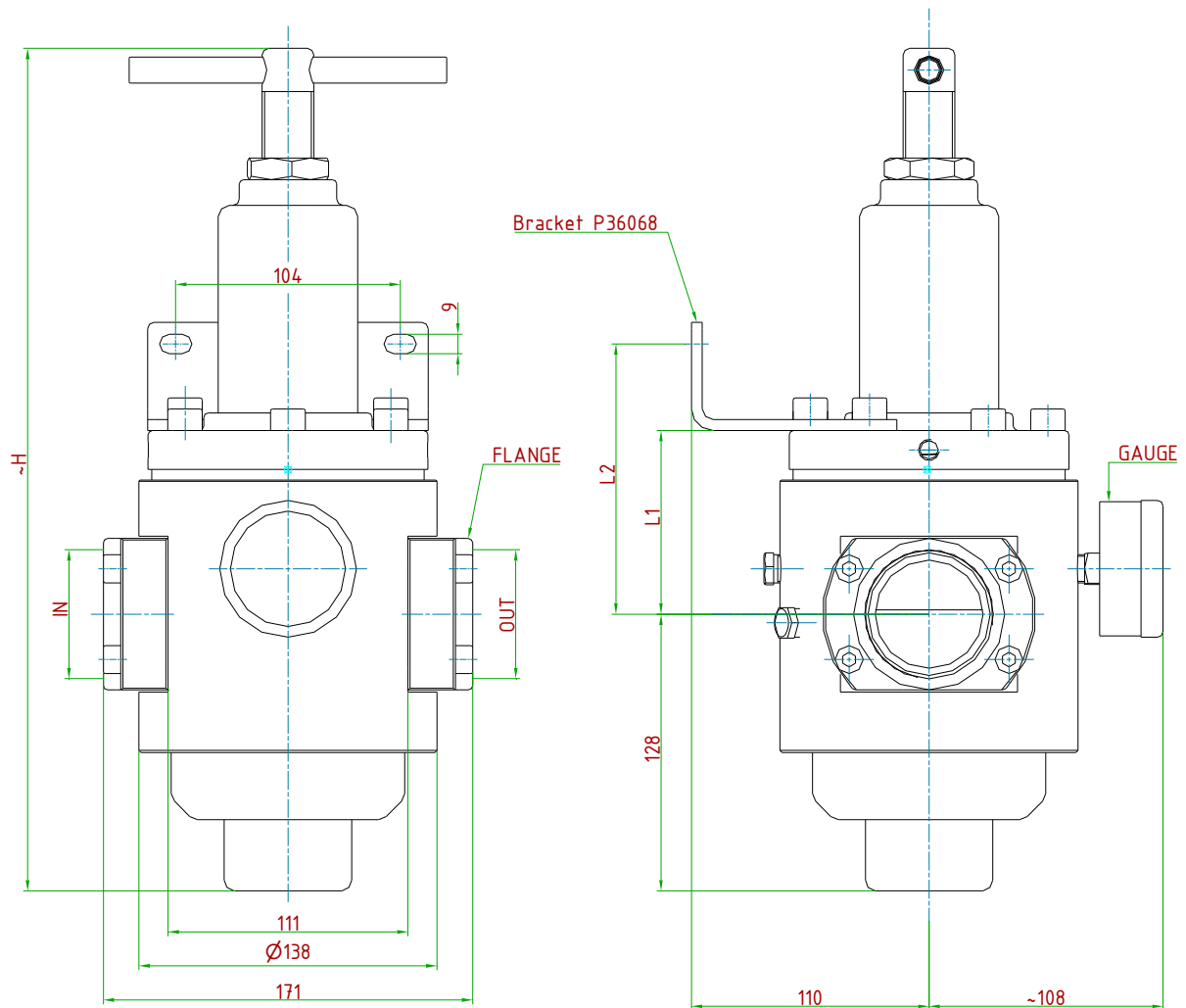
N: Not pilot operated

I: ID

00: No accessories

technical drawings (all dimensions in mm)

TYPE	IN/OUT	FLANGE
2" GF	G 2-F	P37063
1 1/2" GF	G 1 1/2-F	P37062
2" NPTF	2" NPT-F	P37067
1 1/2" NPTF	1 1/2" NPT-F	P37066



Bracket to be ordered separately, Kit order number: M17310

MODEL	PS	OUTLET PRESSURE	GAUGE CODE	GAUGE RANGE	H	L1	L2
A	30 bar	0,2÷1,5 bar	0ABNEC04	0÷2,5 bar	~390	85	125
B	30 bar	0,3÷3 bar	0ABNEC05	0÷6 bar	~390	85	125
C	30 bar	0,8÷8 bar	0ABNEC07	0÷16 bar	~390	85	125
F	50 bar	1,5÷15 bar	0ABNEC08	0÷25 bar	~390	85	125
G	50 bar	3÷30 bar	0ABNEC09	0÷63 bar	~400	98	138
L	50 bar	5÷50 bar	0ABNEC10	0÷100 bar	~400	98	138

NOTE: Standard version without gauge

ID Insert Deal Srl

Strada dei Boschi, 40
20852 Villasanta (MB) Italia
tel. +39 039 302035
info@idinsertdeal.com
www.idinsertdeal.com

ID Insert Deal si riserva il diritto di cambiare le specifiche del prodotto senza preavviso.
ID Insert Deal reserves the right to change and/or modify product specifications without prior notice.

Insert Deal non si assume alcuna responsabilità per la scelta, uso e manutenzione di qualsiasi prodotto. La responsabilità per l'ideale scelta, uso e manutenzione di qualsiasi prodotto ID rimane interamente a carico dell'acquirente.

Insert Deal does not assume responsibility for selection, use and maintenance of any products. Responsibility for proper selection, use and maintenance of any ID products remains entirely to the purchaser.

Riproduzione vietata. Tutti i diritti riservati; nessuna parte del presente documento può essere riprodotta senza autorizzazione di ID Insert Deal Srl.
Reproduction forbidden. All rights reserved; the hereby document can't be reproduced, also partially, without the authorization of ID Insert Deal Srl.

PRESSURE REGULATOR_3130(R3130-R3130.2)_EN_03



Azienda con sistema di gestione qualità certificato.
certificato N° 50 100 9191
Company with certificated quality management system.
certificate N° 50 100 9191