

R123 – R123/34 Aluminium

Aluminium pressure regulator,
for non corrosive gas



FEATURES

Pressure regulator for inlet pressure up to 30 bar (435 psi).

Connection ports:

R123 1" - F

R123/34 3/4" - F

Outlet pressure is controlled by a rubber diaphragm. Balanced main valve.

The product complies with the 2014/68/EU PED directive.

Gauge for outlet pressure
(accuracy class 1.6)

SPECIFICATIONS

Weight: ~3,6 kg (~8 lb)

Operating temperature: -20°C ÷ +60°C (-4°F ÷ +140°F) for standard version

Main valve leakage classification: VI

Flow coefficient: $K_v = 5.5 \text{ Nm}^3/\text{h}$ $C_v = 6.44 \text{ US gal/min}$

G ¼ gauge port on both sides

MATERIALS

Body and bonnet: aluminium

Internal parts: brass

Main valve spring: stainless steel AISI 302

Adjusting spring: C85 (not in contact with the fluid)

Diaphragm: two coupled diaphragms in NBR and PTFE (PTFE in contact with the fluid)

Single NBR diaphragm for relieving version

O-Ring: NBR (other compounds available on request)

Main valve gasket: NBR (other compounds available on request)

ACCESSORIES

Pilot-controlled version, outlet pressure controlled by a pilot regulator

Wall mounting bracket

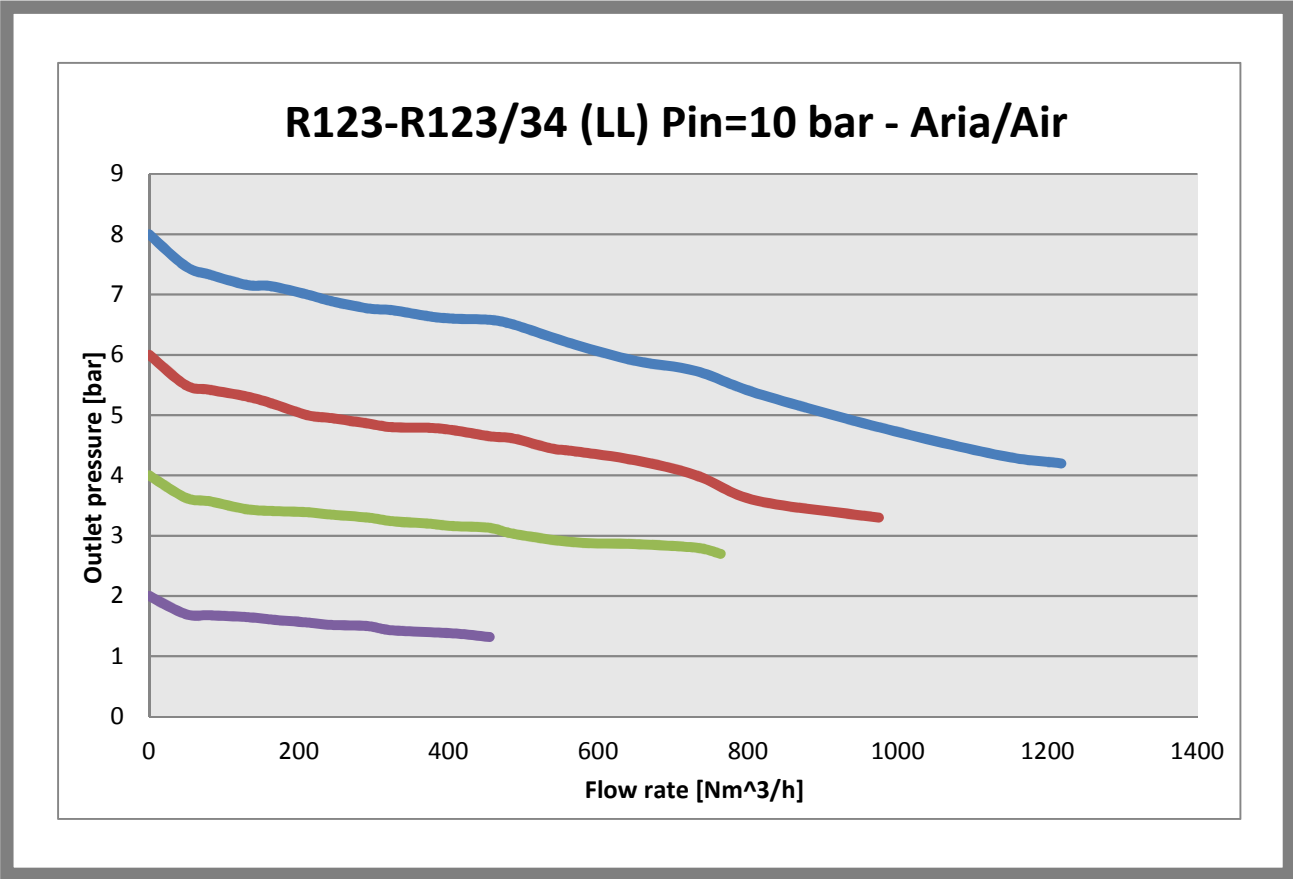
Overpressure relieving function (only for compressed air)

SPARE PARTS

Gauge

Complete kit: net filter, complete main valve, o-rings, assembled diaphragm

flow charts



generating the product code

REGOLATORE R123 LL			
AA BB CC DD E F GG			
AA	Attacchi / Connections	Q0	R123 G3/4-F
		R0	R123 G1-F
BB	Pressione d'ingresso / Inlet pressure	D0	30 bar
CC	Intervallo d'uscita/ Outlet range	A0	Pout 0,2 - 1,5 bar
		B0	Pout 0,3 - 3 bar
		D0	Pout 0,8 - 8 bar
		E0	Pout 1,5 - 15 bar
DD	Tipologia di fluido / Fluid type	01	Reliving
		97	NBR
		98	EPDM
		99	FPM
E	Pilotato / Piloted	N	Non Pilotato
		P	Pilotato
F	Marchiato /Marked	I	ID
GG	Accessori/Accessories	00	Nessun accessorio

CODE COMPOSITION EXAMPLE

552#R0 D0 D0 97 N I 00

552#: R123 LL pressure regulator

R0: connection G 1-F

D0: maximum inlet pressure 30 bar

D0: outlet pressure range 0,8-8 bar

97: NBR gaskets

N: not pilot-controlled

I: ID

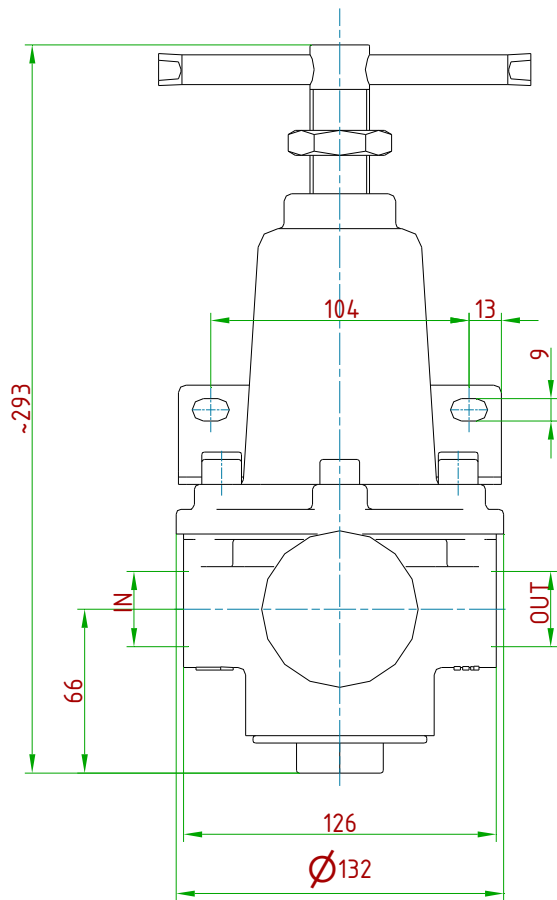
00: no accessories

technical drawings (all dimensions in mm)

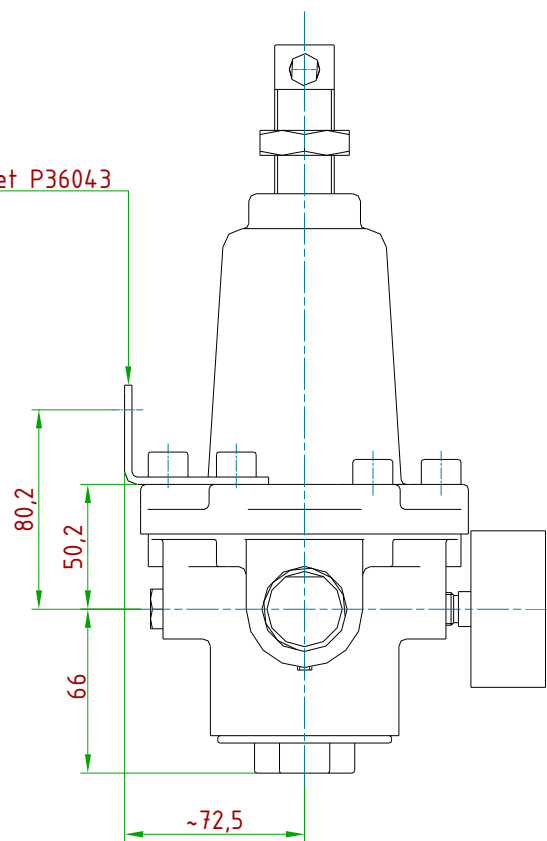
Bracket to be ordered separately: Order number P36043A21208

TYPE	IN/OUT
R123LL 1"GF	G1-F
R123LL 1"NPTF	1"NPT-F
R123LL 3/4"GF	G3/4-F
R123LL 3/4"NPTF	3/4"NPT-F

PS [bar]	FLUID	NOTE
20	AIR (RELIEVING)	NO GAUGE
30	GAS	-



Bracket P36043



OUTLET PRESSURE [bar]: 0.2÷1.5/0.3÷3/0.8÷8/1.5÷15

ID Insert Deal Srl

Strada dei Boschi, 40
20852 Villasanta (MB) Italia
tel. +39 039 302035
info@idinsertdeal.com
www.idinsertdeal.com

ID Insert Deal si riserva il diritto di cambiare le specifiche del prodotto senza preavviso.
ID Insert Deal reserves the right to change and/or modify product specifications without prior notice.

Insert Deal non si assume alcuna responsabilità per la scelta, uso e manutenzione di qualsiasi prodotto. La responsabilità per l'ideale scelta, uso e manutenzione di qualsiasi prodotto ID rimane interamente a carico dell'acquirente.

Insert Deal does not assume responsibility for selection, use and maintenance of any products. Responsibility for proper selection, use and maintenance of any ID products remains entirely to the purchaser.

Riproduzione vietata. Tutti i diritti riservati; nessuna parte del presente documento può essere riprodotta senza autorizzazione di ID Insert Deal Srl.
Reproduction forbidden. All rights reserved; the hereby document can't be reproduced, also partially, without the authorization of ID Insert Deal Srl.

PRESSURE REGULATOR_552(R123-R123.34LL)_EN_02



Azienda con sistema di gestione qualità certificato.
certificato N° 50 100 9191
Company with certificated quality management system.
certificate N° 50 100 9191