

R126/DN100-R126/DN80

Brass pressure regulator,
for compressed air, gas and liquid



FEATURES

Pressure regulator for inlet pressure up to 30 bar (435 psi).

Flanged connections screwed to the body EN1092-01/01A/DN80/PN40 and EN1092-01/01A/DN100/PN40.

Different flanges available "EN" or "ASME".

Outlet pressure is controlled by a rubber diaphragm.

Balanced main valve.

Gauges for inlet and outlet pressure (accuracy class 1.6)

Adjusting spring for outlet pressure 0.2÷1.5 bar and 0.6÷6 bar.

Built in pilot regulator for outlet pressure 1.5÷15 bar.

Available the EAC TP TC 032/2013 or EAC-EX TP TC 012/2011 versions for the Russian market.

The product complies with the directive 2014/68/EU PED.

SPECIFICATIONS

Weight EN1092-01/01A/DN80/PN40: ~94 kg (~207 lb)

Weight EN1092-01/01A/DN100/PN40: ~99 Kg (~218 lb)

Operating temperature: -20°C ÷ +60°C (-4 °F ÷ +140 °F) for standard version

Main valve leakage classification: VI (bubble tight)

Degree of protection: IP25

G¼ gauge ports, flow from left to right

Flow coefficient Kv=70Nm³/h Cv=82 Us gal/min

MATERIALS

Body: brass

Bonnet: aluminium

Flanges: AISI 316L

Pilot regulator: brass (only for outlet pressure 1.5÷15 bar)

Internal parts: brass

Main valve spring: C85

Adjusting spring: C85 (not in contact with the fluid)

Diaphragm: two coupled diaphragm in Neoprene and PTFE (PTFE in contact with the fluid)

O-Rings: NBR (different compounds available on request)

Main valve gasket: NBR (different compounds available on request)

ACCESSORIES

Overpressure relieving function (only for compressed air)

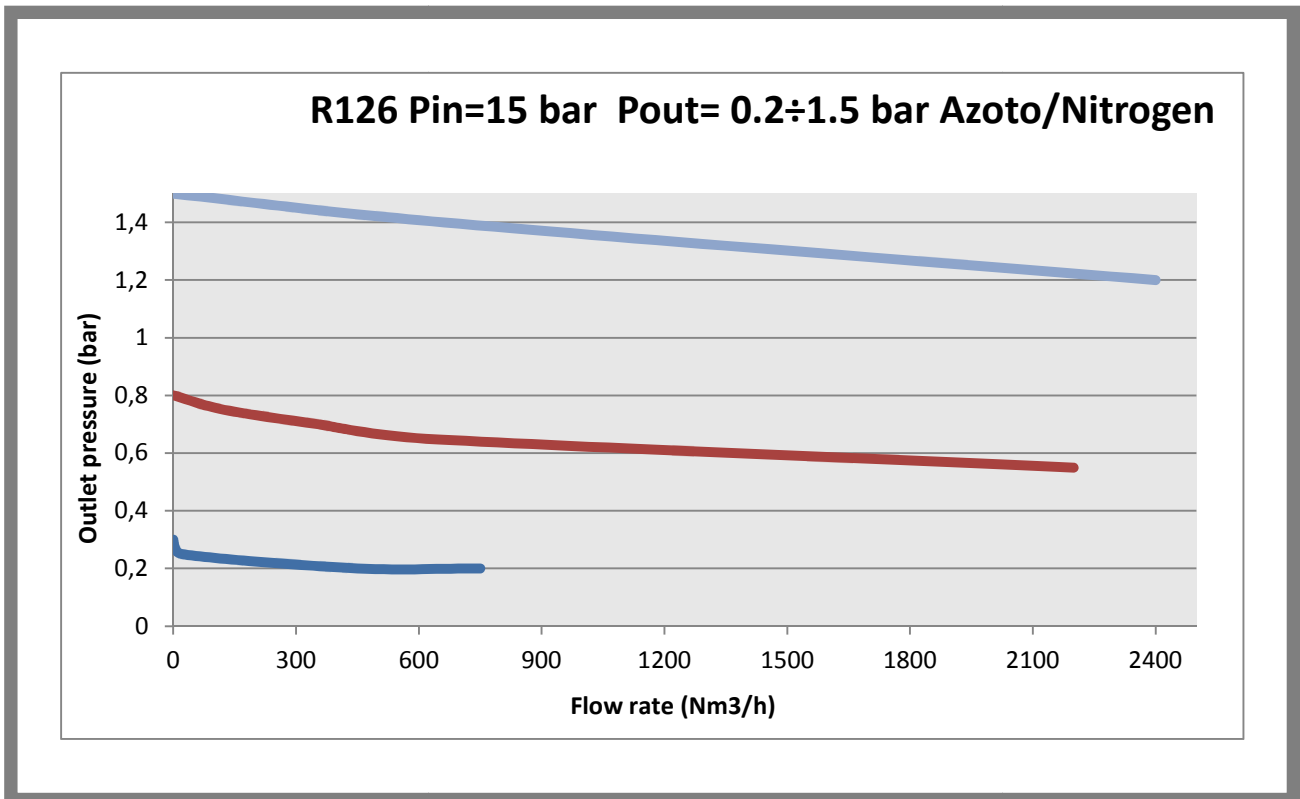
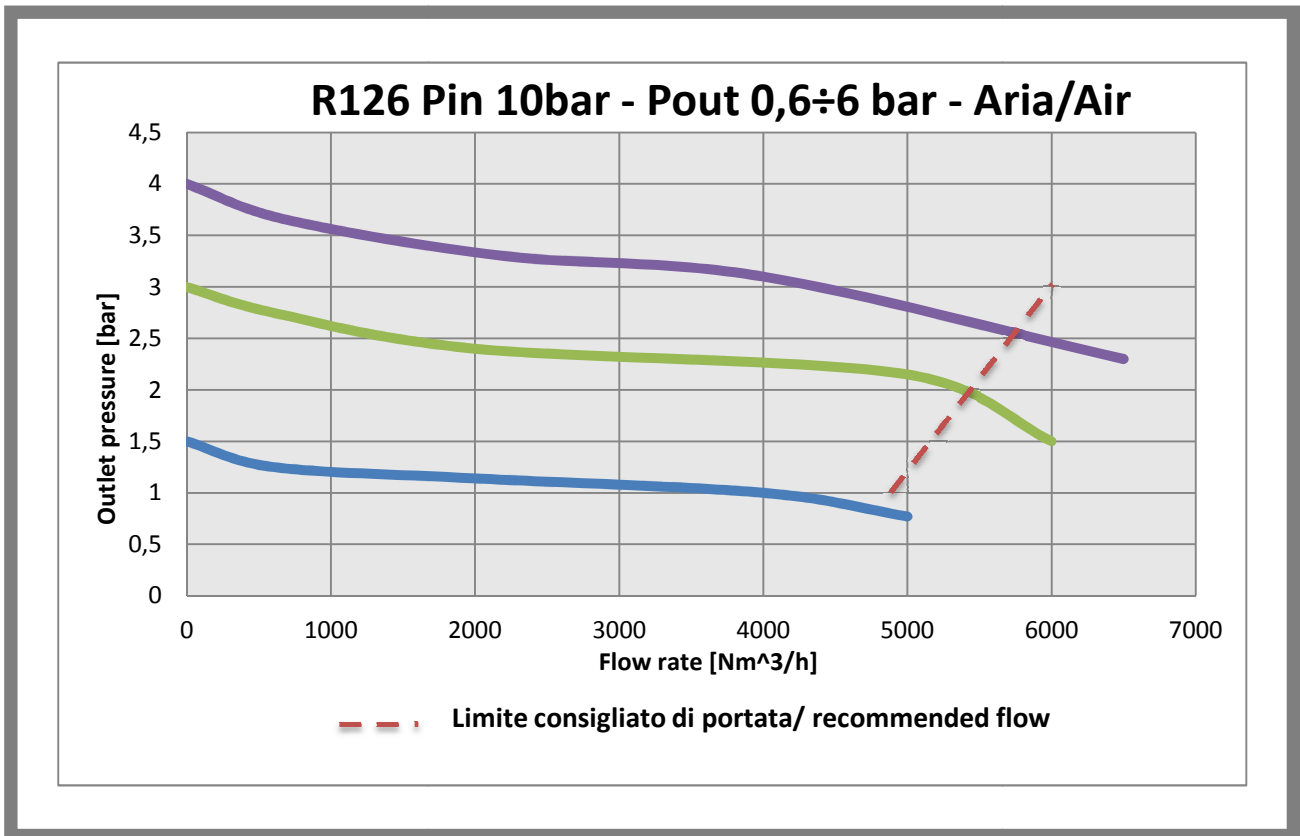
Pilot controlled version, outlet pressure is controlled by a pilot pressure

SPARE PARTS

Gauges

Complete kit: assembled diaphragm, main valve, o-rings

flow charts



generating the product code

Regolatore 2° stadio R126 OTTONE /BRASS medium pressure regulator R126			
AA BB CC DD E FF			
AA	Attacchi / Connections	I0	R126 EN1092-01/01A/DN80/PN40
		K0	R126 EN1092-01/01A/DN100/PN40.
BB	Pressione ingresso / Inlet pressure	D0	PS 30 bar
CC	Intervallo uscita - Outlet range	A0	Pout 0,2 - 1,5 bar
		H0	Pout 0,6 - 6 bar
		E0	Pout 1,5 - 15 bar
DD	Tipologia di fluido / Fluid type	15	O2 CAT II
		94	FPM CAT II
		95	NBR CAT II
		96	EPDM CAT II
E	Marchiato / Marked	I	ID
FF	Accessori / Accessories	00	Nessun accessorio

CODE COMPOSITION EXAMPLE

D56#K0 D0 H0 15 I 00

D56#: high flow brass regulator R126

K0: flanges IN/OUT EN1092-01/01A/DN100/PN40

D0: maximum inlet pressure 30 bar

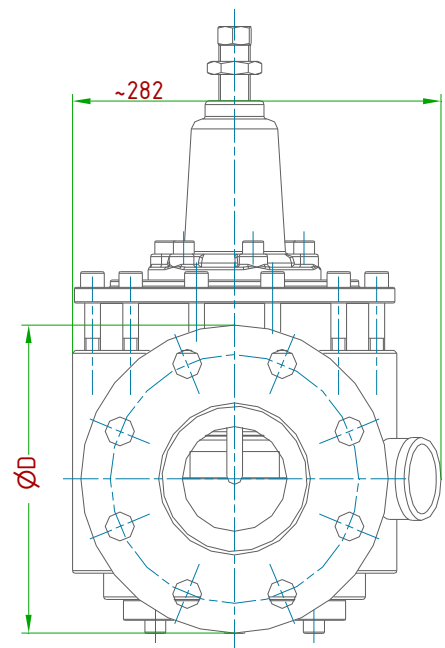
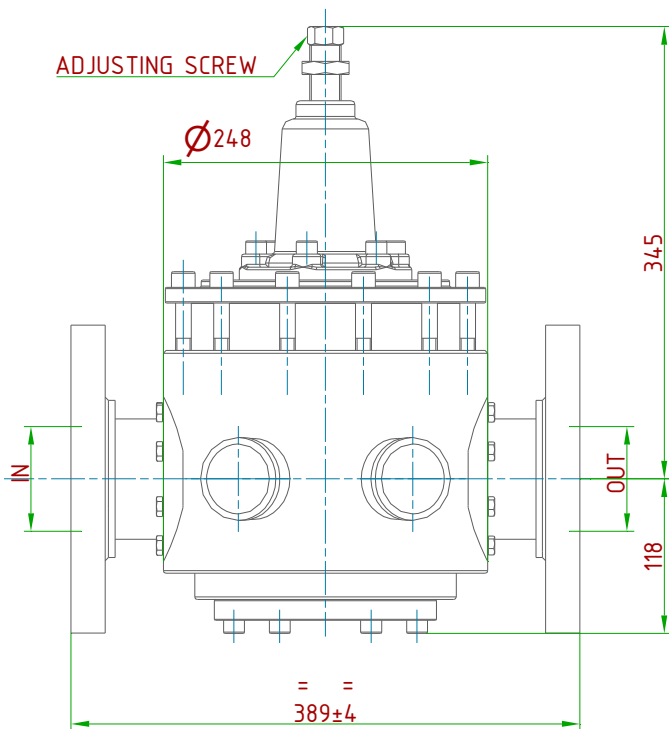
H0: outlet pressure range 0.6-6 bar

15: oxygen use

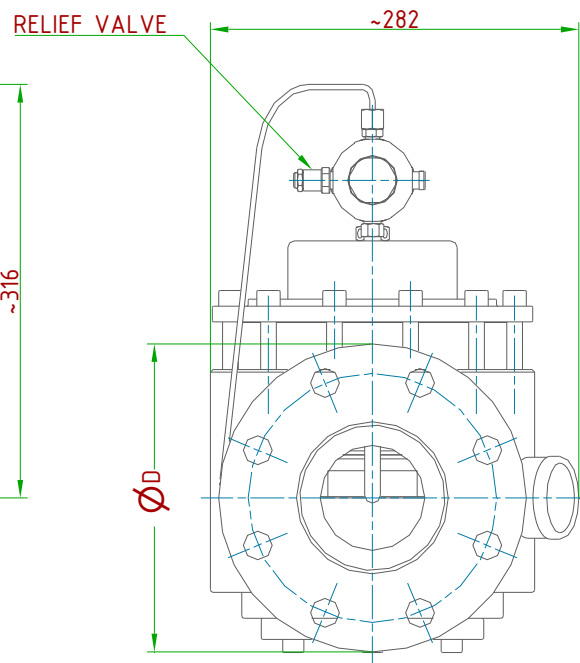
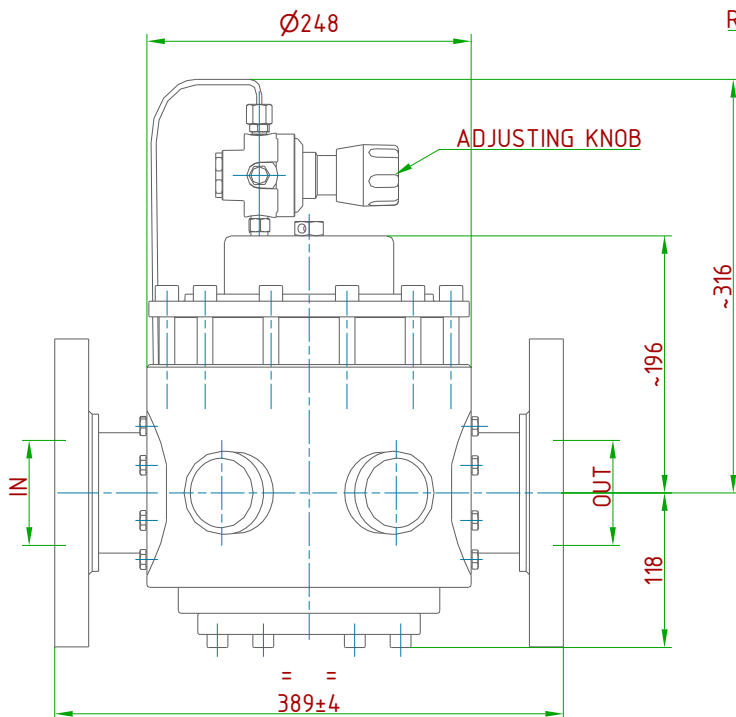
I: ID

00: no accessories

technical drawings (all dimensions in mm)



MODEL	D
R126 EN1092-1/01A/DN100/PN40	235 mm
R126 EN1092-1/01A/DN80/PN40	200 mm



ID Insert Deal Srl

Strada dei Boschi, 40
20852 Villasanta (MB) Italia
tel. +39 039 302035
info@idinsertdeal.com
www.idinsertdeal.com

ID Insert Deal si riserva il diritto di cambiare le specifiche del prodotto senza preavviso.
ID Insert Deal reserves the right to change and/or modify product specifications without prior notice.

Insert Deal non si assume alcuna responsabilità per la scelta, uso e manutenzione di qualsiasi prodotto. La responsabilità per l'ideale scelta, uso e manutenzione di qualsiasi prodotto ID rimane interamente a carico dell'acquirente.

Insert Deal does not assume responsibility for selection, use and maintenance of any products. Responsibility for proper selection, use and maintenance of any ID products remains entirely to the purchaser.

Riproduzione vietata. Tutti i diritti riservati; nessuna parte del presente documento può essere riprodotta senza autorizzazione di ID Insert Deal Srl.
Reproduction forbidden. All rights reserved; the hereby document can't be reproduced, also partially, without the authorization of ID Insert Deal Srl.

PRESSURE REGULATOR_D56(R126.DN100-R126.DN80)_EN_04



Azienda con sistema di gestione qualità certificato.
certificato N° 50 100 9191
Company with certificated quality management system.
certificate N° 50 100 9191