

R160

Precision pressure regulator



FEATURES

Precision pressure regulator for inlet pressure up to 6 bar (87 psi).

Standard version inlet port G1/2-F and outlet port G3/4-F. NPT connections, by added nipples, available on request.

Outlet pressure is controlled by a rubber diaphragm. The main valve is balanced.

Available the ATEX 2014/34/EU version
Brand **CE** **Ex** II2GcIICTX
CE **Ex** II2DcIIICTX.

For use in potentially explosive atmospheres zones: 1, 21, 2, 22 (not applicable in mines and zone 0).

Available the EAC-EX TP TC 012/2011 versions for the Russian market.

The product complies with the directive 2014/68/EU PED.

SPECIFICATIONS

Weight: ~1.3 kg (~2.9 lb)

Operating temperature: -20°C ÷ +60°C (-4°F ÷ 140° F) for standard version

Main valve leakage classification: VI

Minimum outlet pressure: 5 mbar for model A, 10 mbar for models B and C.

Flow coefficient: $K_v = 0.4 \text{ Nm}^3/\text{h}$ ($C_v = 0,47 \text{ USgal}/\text{min}$)

Degree of protection: IP25

G $\frac{1}{4}$ ports for outlet pressure gauge

Adjusting screw to set inlet pressure

MATERIALS

Body: anodized aluminium

Bonnet: stainless steel AISI 316L

Internal parts: brass/AISI 316L

Adjusting spring: C85

Diaphragm: single diaphragm in NBR, NBR and PTFE coupled diaphragms in for O₂ and CO₂ versions (PTFE diaphragm in contact with the fluid)

O-Rings: NBR/EPDM/FPM (depending on the fluid)

Main valve gasket: NBR/EPDM/FPM (depending on the fluid)

ACCESSORIES

Gauges kit: accuracy class 1,6

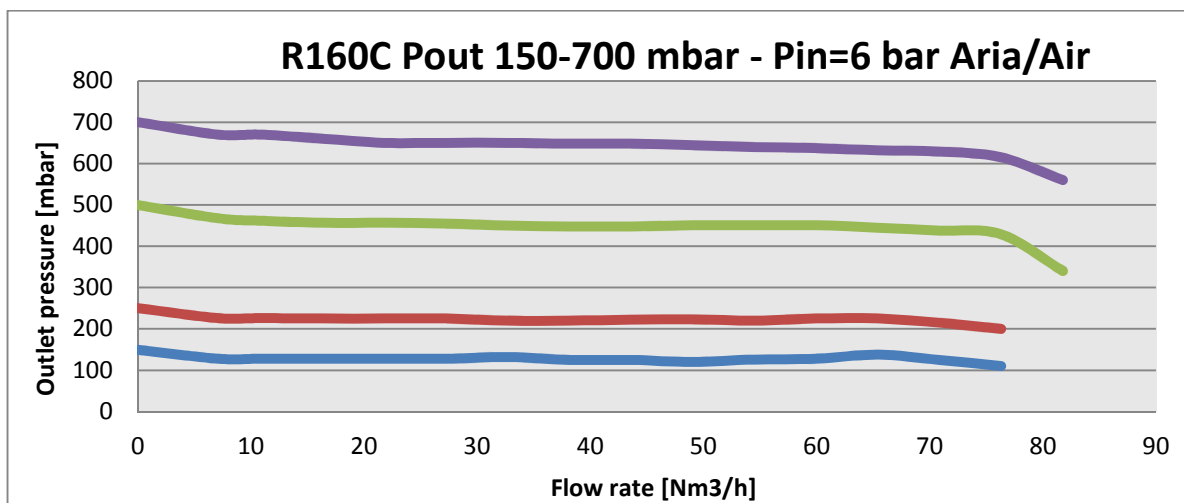
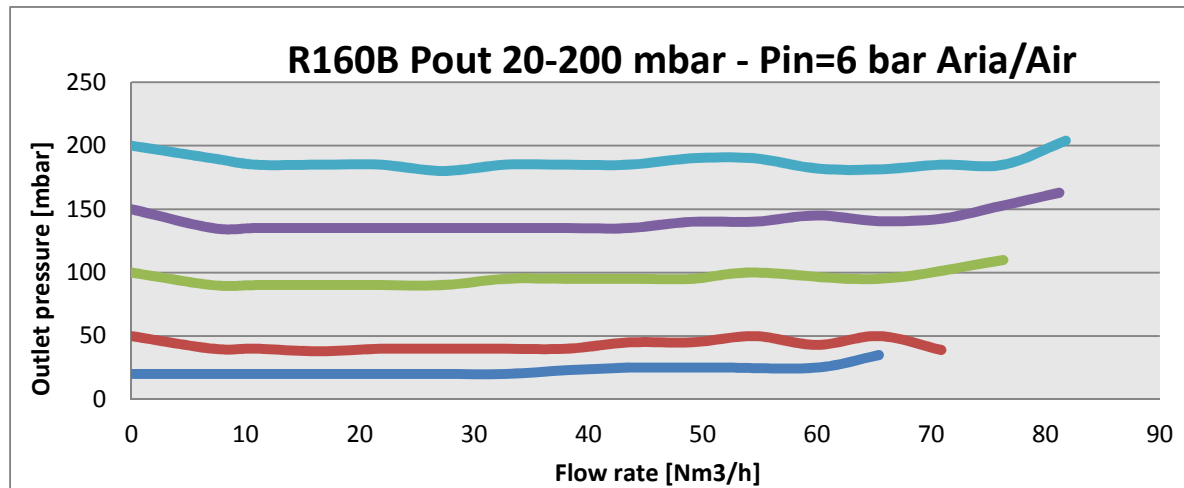
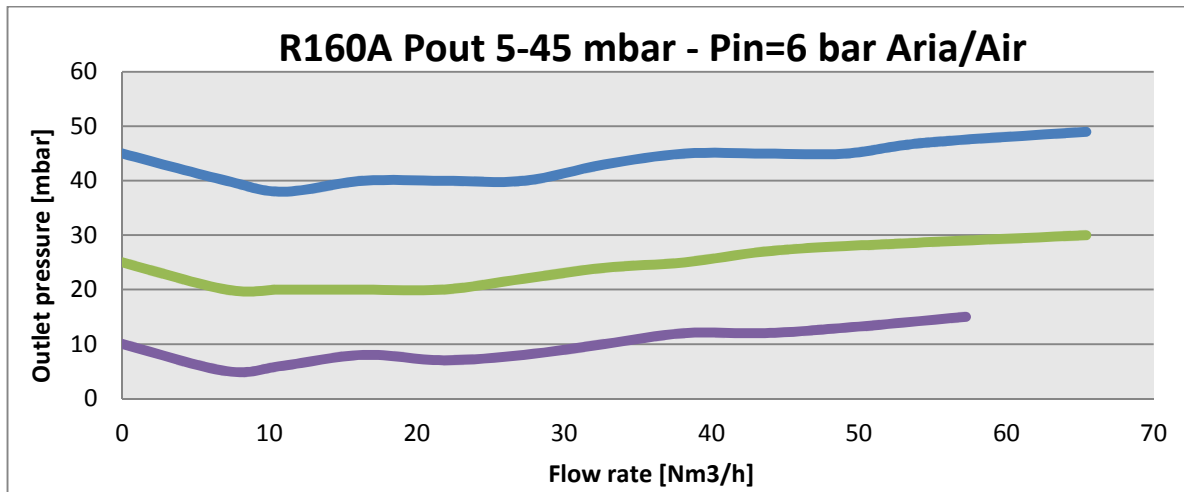
Bracket kit

SPARE PARTS

Gauges

Complete kit: assembled diaphragm, net filter, main valve, O-rings

flow charts



generating the product code

Regolatore R160 LL			
AA BB CC DD E FF			
AA	Attacchi / Connections	P0	IN G1/2-F OUT G3/4-F
BB	Pressione d'ingresso / Inlet pressure	A0	PS 6 bar
CC	Intervallo d'uscita/ Outlet range	N0	MOD A Pout 5 ÷ 45 mbar
		P0	MOD B Pout 20 ÷ 200 mbar
		Q0	MOD C Pout 150 ÷ 700 mbar
DD	Tipologia di fluido / Fluid type	15	O2
		97	NBR CAT I
		98	EPDM
		99	FPM
E	Marchiato / Marked	I	ID
		Z	Dir ATEX 2014/34/UE
F	Accessori / Accessories	00	Nessun accessorio

CODE COMPOSITION EXAMPLE

160#P0 A0 P0 15 I 00

160#: Regulator R160 in LL

P0: Inlet connection G1/2-F and outlet connection G³/₄-F

A0: Maximum inlet pressure 6 bar

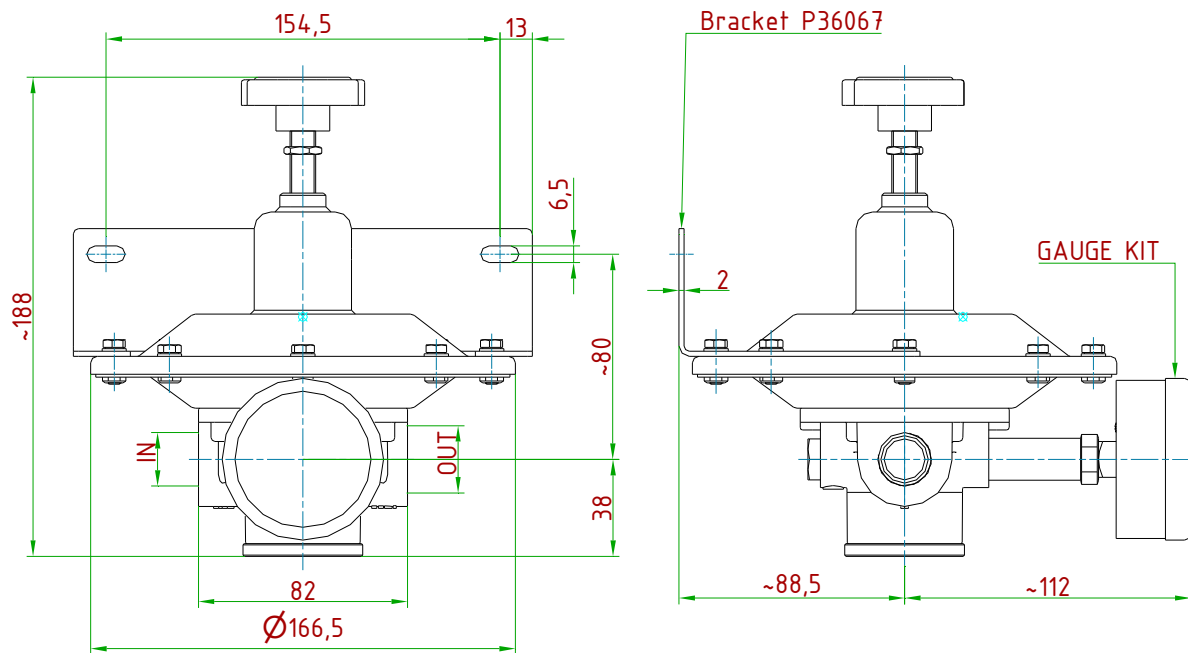
P0: Outlet pressure range 20 - 200 mbar

15: Oxygen version

I: Insert Deal

00: No accessories

technical drawings (dimensions in mm)



TYPE	IN	OUT
E.1/2"GF - U.3/4"GF	G 1/2-F	G 3/4-F
E.1/2"NPTF - U.3/4"NPTF	1/2" NPT-F	3/4" NPT-F

MODEL	Pout	GAUGE KIT	GAUGE
R160A	5÷45 mbar	M62201	0÷60 mbar
R160B	20÷200 mbar	M62202	0÷300 mbar
R160C	150÷700 mbar	M62203	0÷1 bar

ID Insert Deal Srl
Strada dei Boschi, 40
20852 Villasanta (MB) Italia
tel. +39 039 30 2035
info@idinsertdeal.com
www.idinsertdeal.com

ID Insert Deal si riserva il diritto di cambiare le specifiche del prodotto senza preavviso.
ID Insert Deal reserves the right to change and/or modify product specifications without prior notice.

Insert Deal non si assume alcuna responsabilità per la scelta, uso e manutenzione di qualsiasi prodotto. La responsabilità per l'ideale scelta, uso e manutenzione di qualsiasi prodotto ID rimane interamente a carico dell'acquirente.

Insert Deal does not assume responsibility for selection, use and maintenance of any products. Responsibility for proper selection, use and maintenance of any ID products remains entirely to the purchaser.

Riproduzione vietata. Tutti i diritti riservati; nessuna parte del presente documento può essere riprodotta senza autorizzazione di ID Insert Deal Srl.
Reproduction forbidden. All rights reserved; the hereby document can't be reproduced, also partially, without the authorization of ID Insert Deal Srl.

PRESSURE REGULATOR_R160LL_EN_02



Azienda con sistema di gestione qualità certificato.
certificato N° 50 100 9191
Company with certificated quality management system.
certificate N° 50 100 9191