

R4160

Precision pressure regulator
stainless steel AISI 316L internal parts



FEATURES

Precision pressure regulator for inlet pressure up to 6 bar (87 psi).

Standard version inlet port G1/2-F and outlet port G3/4-F. NPT connections, by added nipples, available on request.

Outlet pressure is controlled by a rubber diaphragm. The main valve is balanced.

Available the ATEX version

Brand **CE** II 2GDc IICX.

For use in potentially explosive atmospheres zones: 1, 21, 2, 22 (not applicable in mines and zone 0).

The product complies with the directive 97/23/CE PED

SPECIFICATIONS

Weight: ~1.3 kg (~2.9 lb)

Operating temperature: -20°C ÷ +60°C (-4°F ÷ 140°F) for standard version

Main valve leakage classification: VI

Minimum outlet pressure: 5 mbar for model A and 10 mbar for models B and C.

Flow coefficient: $K_v = 0.4 \text{ Nm}^3/\text{h}$ ($C_v = 0,47 \text{ US gal/min}$)

Degree of protection: IP25

G $\frac{1}{4}$ ports for outlet pressure gauge

Adjusting screw to set outlet pressure

MATERIALS

Body: anodized aluminium

Bonnet: stainless steel AISI 316L

Internal parts: stainless steel AISI 316L

Adjusting spring: C85 (not in contact with the fluid)

Diaphragm: single diaphragm in NBR, NBR and PTFE coupled diaphragms for CO2 version
(PTFE diaphragm in contact with the fluid)

O-Rings: NBR/EPDM (depending on the fluid)

Main valve gasket: NBR/EPDM (depending on the fluid)

ACCESSORIES

Gauges kit: accuracy class 1,6

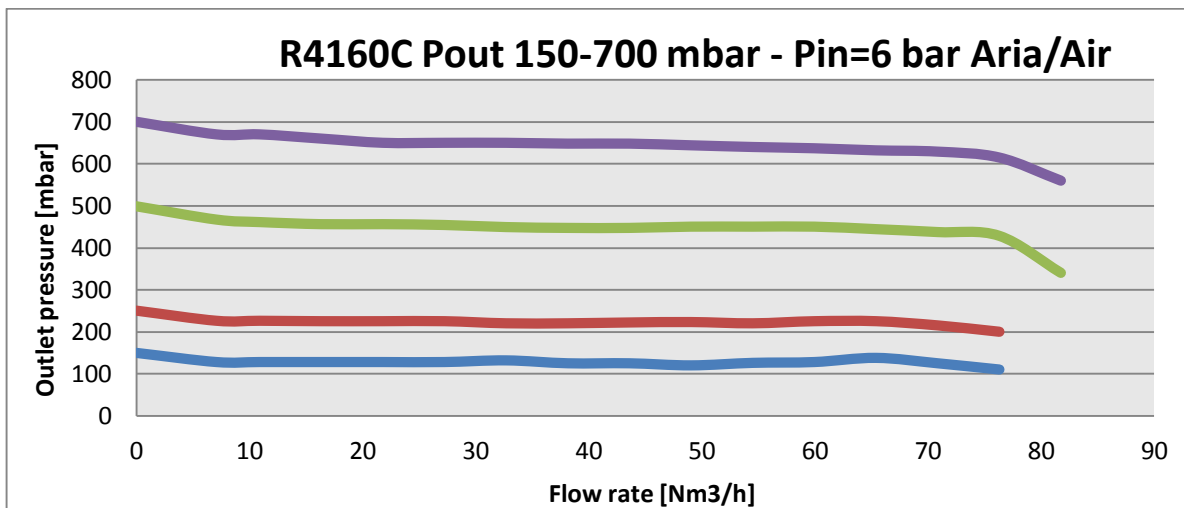
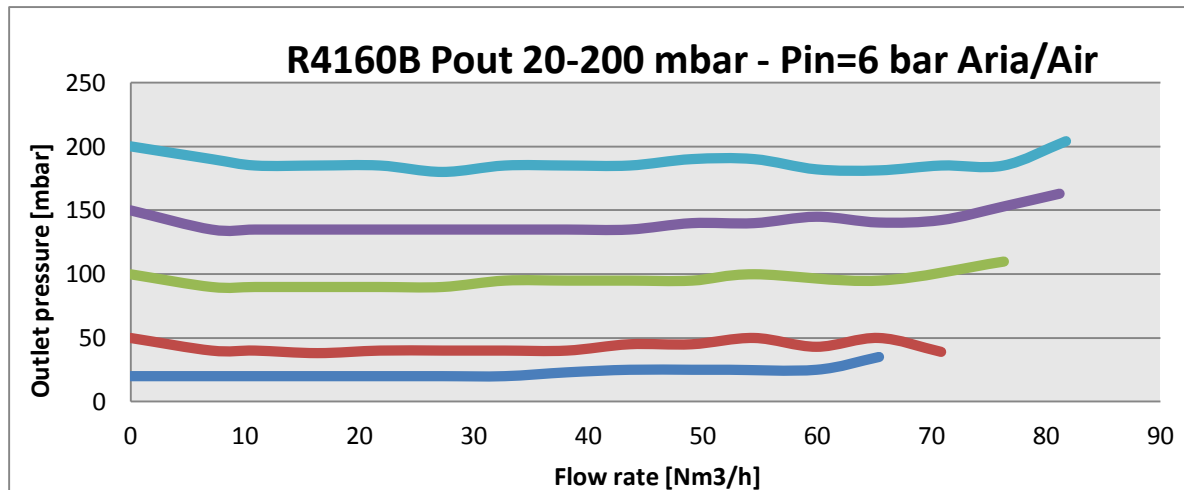
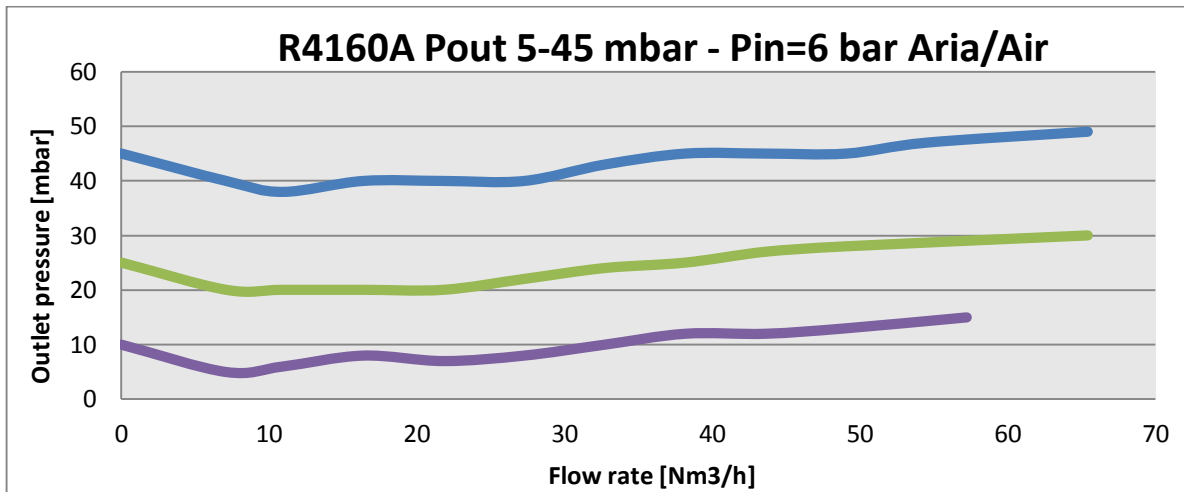
Bracket kit: M11203

SPARE PARTS

Gauges

Complete kit: assembled diaphragm, net filter, main valve, O-rings

flow charts



available model types

Regolatori di pressione ad alta sensibilità High sensibility pressure regulators

Campana in acciaio inox 316L / Bonnet of stainless steel 316L

Corpo alluminio anodizzato / Body of anodized aluminium

Particolari interni in acciaio inox 316L / Internal parts of stainless steel 316L

TYPE	PS bar	P.Out mbar	CONNECTION IN	CONNECTION OUT	CODE	MEDIUM
						R4160
R 4160 A	6	5-45	G 1/2-F	G 3/4-F	4160#PO	*
						**
R 4160 B	6	20-200	G 1/2-F	G 3/4-F	4160#PO	*
						**
R 4160 C	6	150-700	G 1/2-F	G 3/4-F	4160#PO	*
						**

* Aria - N2 - He - Ar - H2 - C3H8 - CH4

** NH3 - CO2 - N2O

ATTACCHI DIVERSI DA STANDARD / CONNECTION DIFFERENT FROM STANDARD

Attacchi entrata/uscita NPT con nipples esterni / Inlet/outlet connections NPT

ESECUZIONI DIVERSE DA STANDARD / EXECUTIONS DIFFERENT FROM STANDARD

O-ring secondo FDA / O-ring according to FDA

O-ring diversi da standard - FPM / O-ring different from standard - FPM

O-ring diversi da standard - EPDM / O-ring different from standard - EPDM

Convogliamento su campana / Connection for bonnet piping

Stampigliatura su specifica del cliente / Not standard branding

Versione ATEX / ATEX version

Temperatura diversa da standard / Temperature different from standard

Sgrassato / Degreased

ACCESSORI / ACCESSORIES

Staffa M11203 / Bracket M11203

Kit manometro ø 63 e raccordo inox

Stainless steel Gauge ø 63 back connection with fitting

R 4160 A	M63301	0+60 mbar 0+600 mmH2O
R 4160 B	M63302	0+300 mbar 0+3000 mmH2O
R 4160 C	M63303	0+1 bar

generating the product code

Regolatore R4160 LL			
AA BB CC DD E FF			
AA	Attacchi / Connections	P0	IN G 1/2-F - OUT G 3/4-F
BB	Pressione ingresso / Inlet pressure	A0	6 bar
CC	Intervallo uscita / Outlet range	N0	MOD A Pout 5 - 45 mbar
		P0	MOD B Pout 20 - 200 mbar
		Q0	MOD C Pout 150 - 700 mbar
DD	Tipologia di fluido / Fluid type	97	NBR
		98	EPDM
E	Marchiato / Marked	I	ID
FF	Accessori / Accessories	00	Nessun accessorio

CODE COMPOSITION EXAMPLE

4160#P0 A0 P0 97 I 00

4160#: Regulator R4160 in LL

P0: Inlet port G 1/2-F and outlet port G ¾-F

A0: Maximum inlet pressure 6 bar

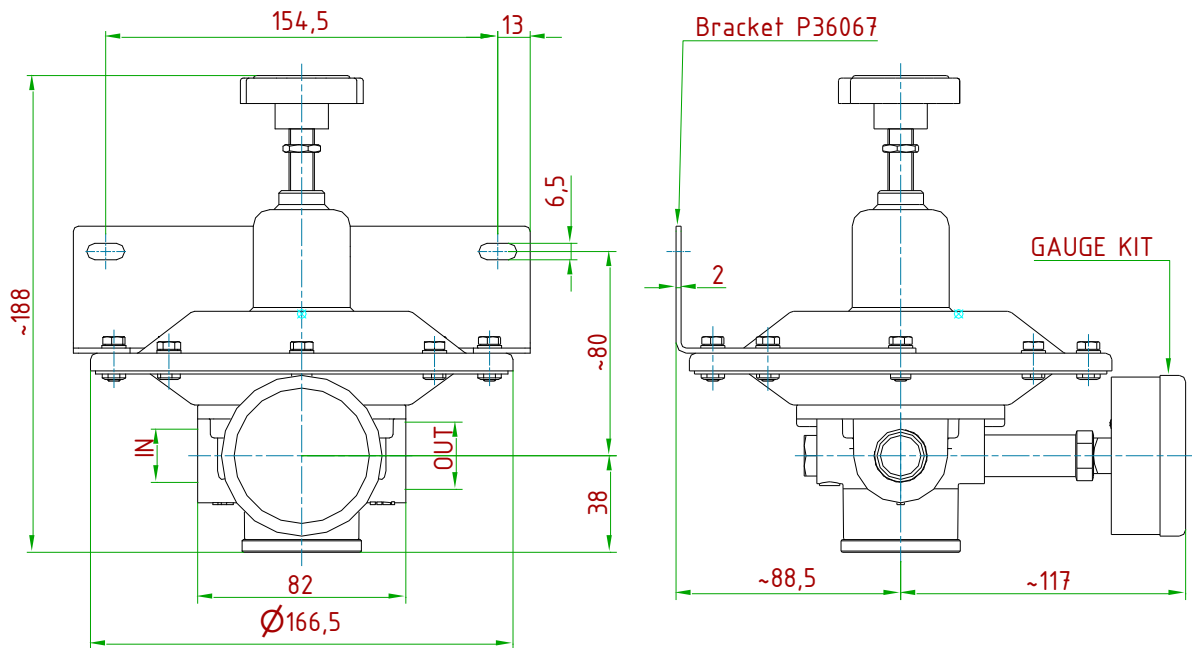
P0: Outlet pressure range 20 - 200 mbar

97: NBR Gaskets

I

00: No accessories

technical drawings (all dimensions in mm)



TYPE	IN	OUT
E.1/2"GF - U.3/4"GF	G 1/2-F	G 3/4-F
E.1/2"NPTF - U.3/4"NPTF	1/2" NPT-F	3/4" NPT-F

MODEL	Pout	GAUGE KIT	GAUGE
R4160A	5÷45 mbar	M63301	0÷60 mbar
R4160B	20÷200 mbar	M63302	0÷300 mbar
R4160C	150÷700 mbar	M63303	0÷1 bar

ID Insert Deal Srl

Strada dei Boschi, 40
20852 Villasanta (MB) Italia
tel. +39 039 30 2035
info@idinsertdeal.com
www.idinsertdeal.com

ID Insert Deal si riserva il diritto di cambiare le specifiche del prodotto senza preavviso.
ID Insert Deal reserves the right to change and/or modify product specifications without prior notice.

Insert Deal non si assume alcuna responsabilità per la scelta, uso e manutenzione di qualsiasi prodotto. La responsabilità per l'ideale scelta, uso e manutenzione di qualsiasi prodotto ID rimane interamente a carico dell'acquirente.

Insert Deal does not assume responsibility for selection, use and maintenance of any products. Responsibility for proper selection, use and maintenance of any ID products remains entirely to the purchaser.

Riproduzione vietata. Tutti i diritti riservati; nessuna parte del presente documento può essere riprodotta senza autorizzazione di ID Insert Deal Srl.
Reproduction forbidden. All rights reserved; the hereby document can't be reproduced, also partially, without the authorization of ID Insert Deal Srl.

PRESSURE REGULATOR_R4160_EN_00



Azienda con sistema di gestione qualità certificato.
certificato N° 50 100 9191
Company with certificated quality management system.
certificate N° 50 100 9191