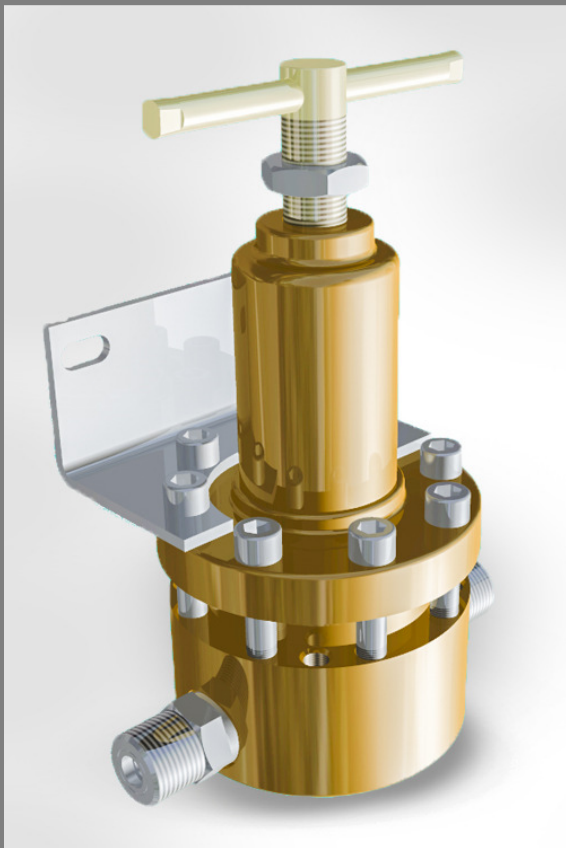


1VSS1

Brass high pressure relief valves,
suitable for compressed air, gas and liquid



FEATURES

Brass relief valve for inlet pressure up to 200 bar (2900 psi) in the standard version.

Inlet and outlet connections:

G3/4-M;
G1-M;
3/4" NPT-M;
1" NPT-M.

Alternative threads available on request.

The relief valve opens when the inlet pressure increases above the set point initially regulated by the adjusting screw and it closes when the pressure goes down under the set point.

Relief pressure is controlled by a piston.

The product complies with the directive 2014/68/EU PED.

SPECIFICATIONS

Relief valve weight: ~12.72 kg / ~28.07 lb

Working temperature: -20 °C ÷ +60 °C (-4 °F ÷ +140 °F) for standard version

Degree of protection: IP25

MATERIALS

Body and bonnet: Brass

Internal parts: Brass

Adjusting spring: C85 (not in contact with the fluid)

O-Ring: EPDM /FPM according to the fluid (different compound available on request)

Piston: Brass

Main valve gasket: PA 6.6

ACCESSORIES

Wall mounting bracket and ring nut: M1BB305

SPARE PARTS

Complete kit: main valve and o-rings

generating the product code

Valvola di sfioro alta pressione in CW617N/ High pressure Brass relief valve			
AA BB CC DD EE			
AA	Attacchi / Connections	QM	G3/4-M
		RM	G1-M
		XM	3/4"NPT-M
		YM	1"NPT-M
BB	Pressione di sfioro / Relief pressure	VR	R.P. 0÷200 bar
		XR	R.P. 0÷100 bar
CC	Tipologia di fluido / Type of fluid	98	EPDM
		99	FPM
DD	Marchiato / Marked	I0	Insert Deal
EE	Accessori / Accessories	00	Nessun accessorio / No accessories

CODE COMPOSITION EXAMPLE

1VSS1# RM VR 99 I0 00

RM : G1-M

VR : Relief pressure 0÷200bar

99 : FPM

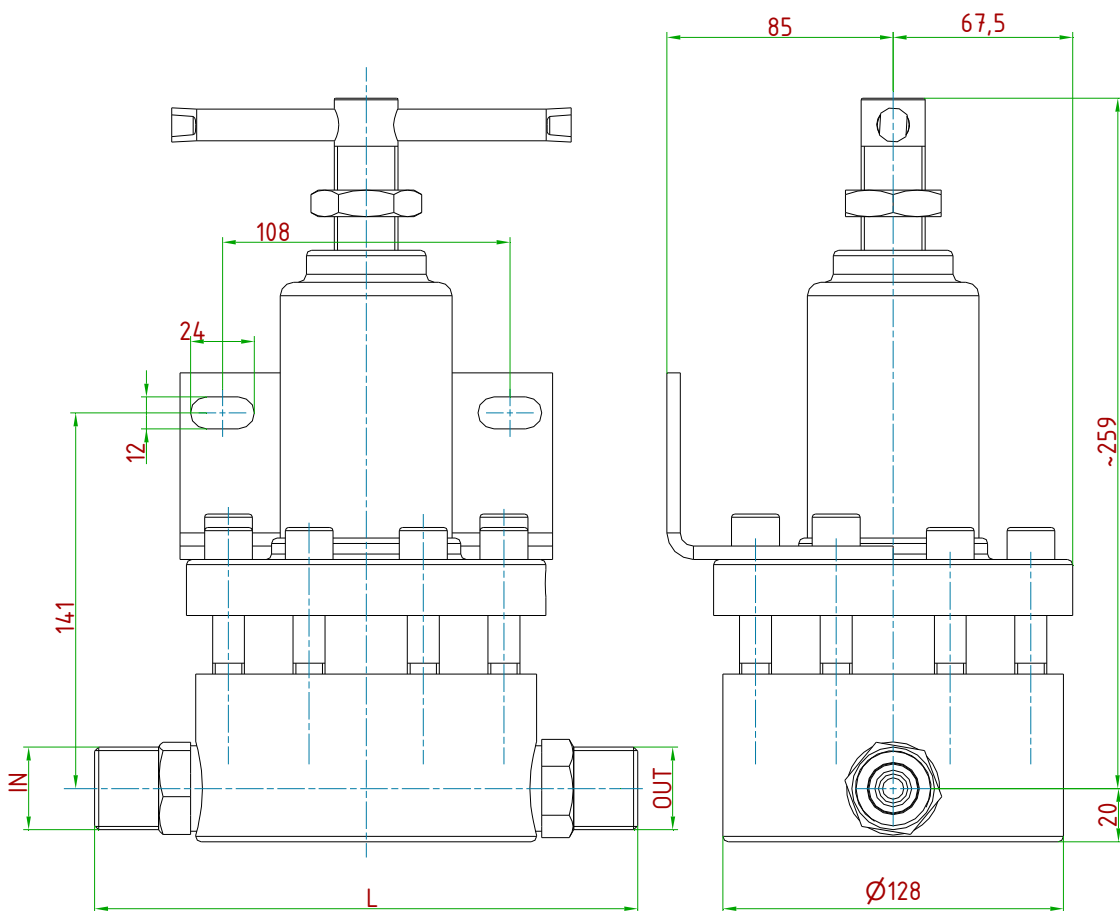
I0 : Insert Deal

00 : Nessun accessorio / No accessories

technical drawings (all dimensions in [mm])

MODEL	IN/OUT	L [mm]
1VSS1 G3/4"	3/4"G-M	~196
1VSS1 3/4"NPT	3/4"NPT-M	~196
1VSS1 G1"	1"G-M	~204
1VSS1 1"NPT	1"NPT-M	~204

Bracket to be ordered separately,
Kit order number : M1BB305



ID Insert Deal Srl

Strada dei Boschi, 40
20852 Villasanta (MB) Italia
tel. +39 039 30 2035
info@idinsertdeal.com
www.idinsertdeal.com

ID Insert Deal si riserva il diritto di cambiare le specifiche del prodotto senza preavviso.
ID Insert Deal reserves the right to change and/or modify product specifications without prior notice.

Insert Deal non si assume alcuna responsabilità per la scelta, uso e manutenzione di qualsiasi prodotto. La responsabilità per l'ideale scelta, uso e manutenzione di qualsiasi prodotto ID rimane interamente a carico dell'acquirente.

Insert Deal does not assume responsibility for selection, use and maintenance of any products. Responsibility for proper selection, use and maintenance of any ID products remains entirely to the purchaser.

Riproduzione vietata. Tutti i diritti riservati; nessuna parte del presente documento può essere riprodotta senza autorizzazione di ID Insert Deal Srl.
Reproduction forbidden. All rights reserved; the hereby document can't be reproduced, also partially, without the authorization of ID Insert Deal Srl.

RELIEF VALVE_1VSS1_EN_01



Azienda con sistema di gestione qualità certificato.
certificato N° 50 100 9191
Company with certificated quality management system.
certificate N° 50 100 9191