

FR15MD – FR20MD

Modular filter-regulators,
suitable for compressed air



FEATURES

Filter-regulator for inlet pressure up to 30 bar (435 psi).

Inlet and outlet connections by flanges screwed to the body:

R15 MD 1 1/2" – F

R20 MD 2" – F

Modular design to couple with same series: lubricator.

Outlet pressure is controlled by an aluminium piston.

The main valve is balanced.

Aluminium body and bowl machined from solid bar.

Filtration rate: 5 or 50 µm.

Overpressure relieving function.

Automatic condensate drain SAI or semiautomatic SS for pressure up to 16 bar, manual drain or cap for pressure up to 30 bar.

The product complies with the directive 2014/68/EU PED.

Available the EAC-EX TP TC 012/2011 version for the Russian market.

Available units composed of:
Filter-Regulator + Lubricator

SPECIFICATIONS

Filter-regulator weight: ~11.8 kg (~26 lb)

Standard version operating temperature: -20 °C ÷ +60 °C (-4 °F ÷ +140 °F)

Main valve leakage classification: VI (bubble tight)

Flow coefficient: Kv= 12.6 Nm³/h Cv = 14.74 US gal/min

Degree of protection: IP25

Bowl capacity: 1200 cc (40 US fl oz)

G $\frac{1}{4}$ port for outlet pressure gauge on both sides

Condensate level display for inlet pressure up to 16 bar

Automatic drain SAI: drain the condensate before builds up to the filter element

Semi-automatic drain SS: drain the condensate every time downstream pressure is dumped

MATERIALS

Body and bowl: aluminium machined from solid bar

Bonnet: cast aluminium

Internal parts: stainless steel / brass

Main valve spring: stainless steel AISI 302

Adjusting spring: C85 (not in contact with the fluid)

Piston: aluminium

O-Ring: NBR

Main valve gasket: NBR

Filter cartridge: bronze

ACCESSORIES

Bracket kit for wall mounting

Gauge

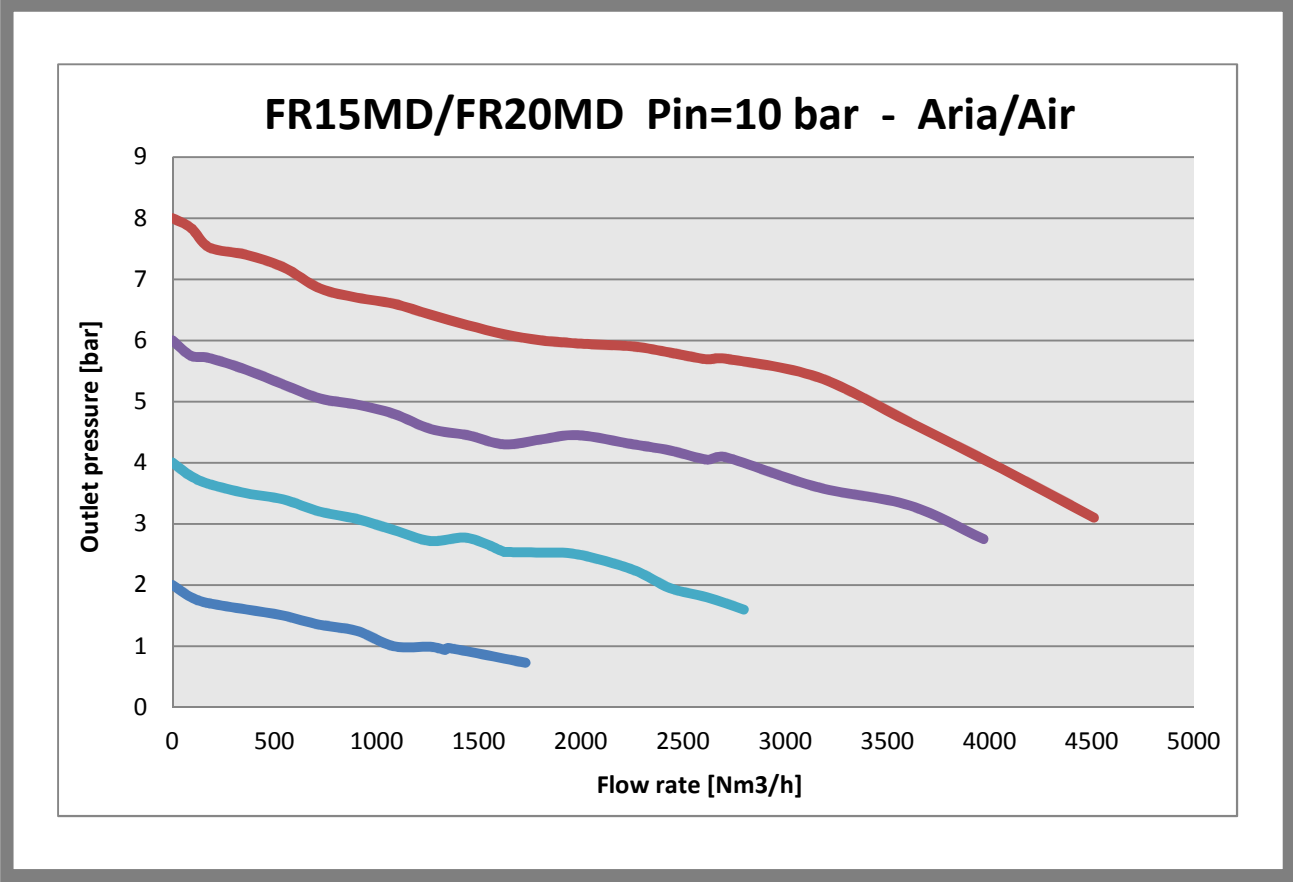
SPARE PARTS

Complete kit: main valve, o-ring, filter cartridge

Condensate level display (2 pcs for each single bowl)

Filter cartridges

flow charts



generating the product code

FR LL MD-15-20			
AA BB CC D E FF			
AA	Attacchi / Connections	S0	15MD G1 1/2-F
		T0	20MD G2-F
BB	Tazza / Bowl	01	Tazza LL SS - 16 bar
		03	Tazza LL SAI - 16 bar
		04	Tazza LL SM NV - 30 bar
CC	Intervallo d'uscita/ Outlet range	A0	Pout 0,2 - 1,5 bar
		B0	Pout 0,3 - 3 bar
		D0	Pout 0,8-8 bar
		E0	Pout 1,5-15 bar
D	Filtrante / Filter	D	5µm
		G	50µm
E	Marchiato / Marked	I	ID
FF	Accessori/Accessories	00	Nessun accessorio

CODE COMPOSITION EXAMPLE

412# T0 01 E0 G I 00

412#: MD filter-regulator

T0: Connections G 2 – F

01: Semiautomatic drain, PS=16 bar (232 psi)

E0: Outlet pressure range 1,5 – 15 bar (21,75 – 217,5 psi)

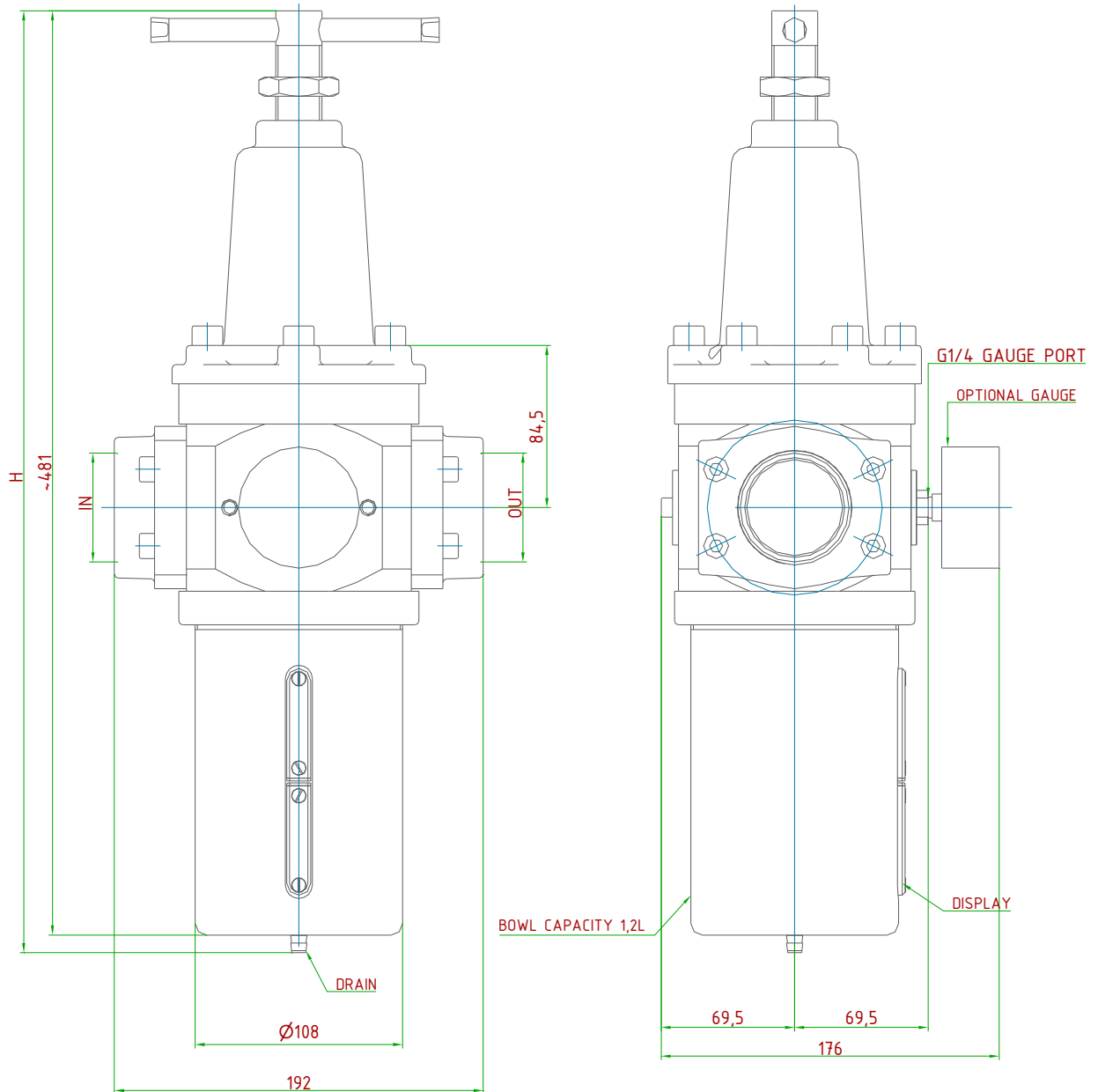
G: Filtration rate 50 µm

I: Insert Deal

00: No accessories

technical drawings (all dimensions in mm)

PS [bar]	DRAIN	NOTE	H	TYPE	IN/OUT	FLANGE	KIT
16	SEMI-AUTOMATIC		~479	FR15MD 1 1/2"GF	G 1 1/2"-F	P37012	M27208
16	AUTOMATIC		~481	FR20MD 2"GF	G 2"-F	P37013	M27209
20	MANUAL		~475	FR15MD 1 1/2"NPTF	1 1/2"NPT-F	P37026	-
30	MANUAL	NO DISPLAY	~475	FR20MD 2"NPTF	2"NPT-F	P37029	-



ID Insert Deal Srl

Strada dei Boschi, 40
20852 Villasanta (MB) Italia
tel. +39 039 302035
info@idinsertdeal.com
www.idinsertdeal.com

ID Insert Deal si riserva il diritto di cambiare le specifiche del prodotto senza preavviso.
ID Insert Deal reserves the right to change and/or modify product specifications without prior notice.

Insert Deal non si assume alcuna responsabilità per la scelta, uso e manutenzione di qualsiasi prodotto. La responsabilità per l'ideale scelta, uso e manutenzione di qualsiasi prodotto ID rimane interamente a carico dell'acquirente.

Insert Deal does not assume responsibility for selection, use and maintenance of any products. Responsibility for proper selection, use and maintenance of any ID products remains entirely to the purchaser.

Riproduzione vietata. Tutti i diritti riservati; nessuna parte del presente documento può essere riprodotta senza autorizzazione di ID Insert Deal Srl.
Reproduction forbidden. All rights reserved; the hereby document can't be reproduced, also partially, without the authorization of ID Insert Deal Srl.

FILTER REGULATOR_412(FR15MD-FR20MD)_EN_03



Azienda con sistema di gestione qualità certificato.
certificato N° 50 100 9191
Company with certificated quality management system.
certificate N° 50 100 9191