

# FR315M – FR320M

Stainless steel AISI 316L filter regulator  
for air, gas and liquid



## FEATURES

Filter regulator for inlet pressure up to 30 bar (435 psi).

Connections by flanges screwed to the body.

FR315M 1 ½"-F

FR320M 2"-F

Outlet pressure is controlled by a stainless steel AISI 316L piston.

Main valve is balanced.

Filtration: 5 µm or 50 µm.

Available versions with automatic drain SAI (up to 16 bar) or manual drain SM (up to 30 bar). Hexagonal cap drain for gas and liquid versions.

The product complies with the directive 2014/68/EU PED.

Available the EAC TP TC 032/2013 or EAC-EX TP TC 012/2011 versions for the Russian market.

Available units composed of:  
Filter-Regulator + Lubricator

## **SPECIFICATIONS**

Weight: ~15,5 Kg (~34 lb)

Standard version operating temperature: -20°C ÷ +60°C (-4°F ÷ +140°F)

Main valve leakage classification: VI (bubble tight)

Flow coefficient: Kv= 12.6 Nm<sup>3</sup>/h Cv = 14,7 US gal/min

Degree of protection: IP25

Bowl capacity: 1000 cc

G¼ port for outlet pressure gauge on both sides

Overpressure relieving function (not for gas and liquids)

## **MATERIALS**

Body and bonnet: stainless steel AISI 316L

Internal parts: stainless steel AISI 316L

Filter cartridges 5 and 50 µm: AISI 316L

Main valve spring: stainless steel AISI 302

Adjusting spring: C85 nickel plated NiP/Fe 15 µm, not in contact with the fluid

Piston: stainless steel AISI 316L

O-Rings: FPM (other compounds available on request)

Main valve gasket: FPM

## **ACCESSORIES**

Gauge: accuracy class 1,6

Not relieving version

Wall mounting bracket kit

## **SPARE PARTS**

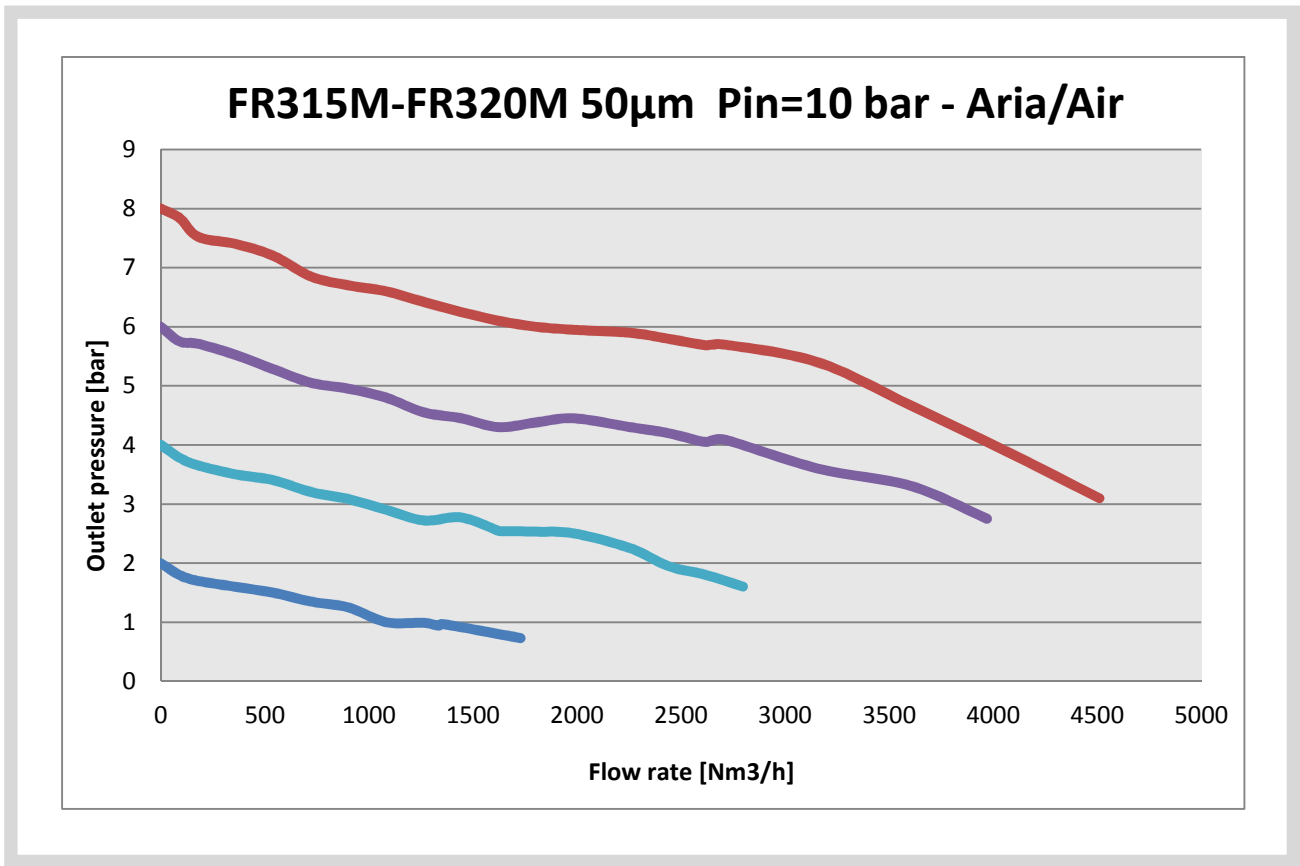
Gauge

Filter cartridges

Complete kit: filter cartridge, O-rings, complete main valve

Automatic drain

flow charts



## generating the product code

| FR315M-FR320M AISI 316L |                                  |    |   |
|-------------------------|----------------------------------|----|---|
| AA BB CC D E FF         |                                  |    |   |
| AA                      | Attacchi / Connections           | S0 | G1 1/2-F                                  |
|                         |                                  | T0 | G2-F                                      |
| BB                      | Tazza/Bowl                       | 31 | Tazza imbutita AISI 316L ST- SAI -16bar   |
|                         |                                  | 32 | Tazza imbutita AISI 316L ST- SM -30bar    |
|                         |                                  | 33 | Tazza imbutita AISI 316L ST- TAPPO -50bar |
| CC                      | Intervallo uscita / Outlet range | D0 | Pout 0,8÷8 bar                            |
|                         |                                  | E0 | Pout 1,5÷15 bar                           |
| D                       | Filtrante / Filter               | C  | 5 µm                                      |
|                         |                                  | H  | 50 µm                                     |
| E                       | Marchiato / Marked               | I  | ID  |
| FF                      | Accessori                        | 00 | Nessun accessorio / No accessories        |

### CODE COMPOSITION EXAMPLE

**473# S0 31 D0 H I 00**

**473#:** Filter regulator series M AISI 316L

**S0:** Connection G1 1/2-F

**31:** Maximum inlet pressure 16 bar with drain SAI (automatic drain)

**D0:** Outlet pressure range 0,8-8 bar

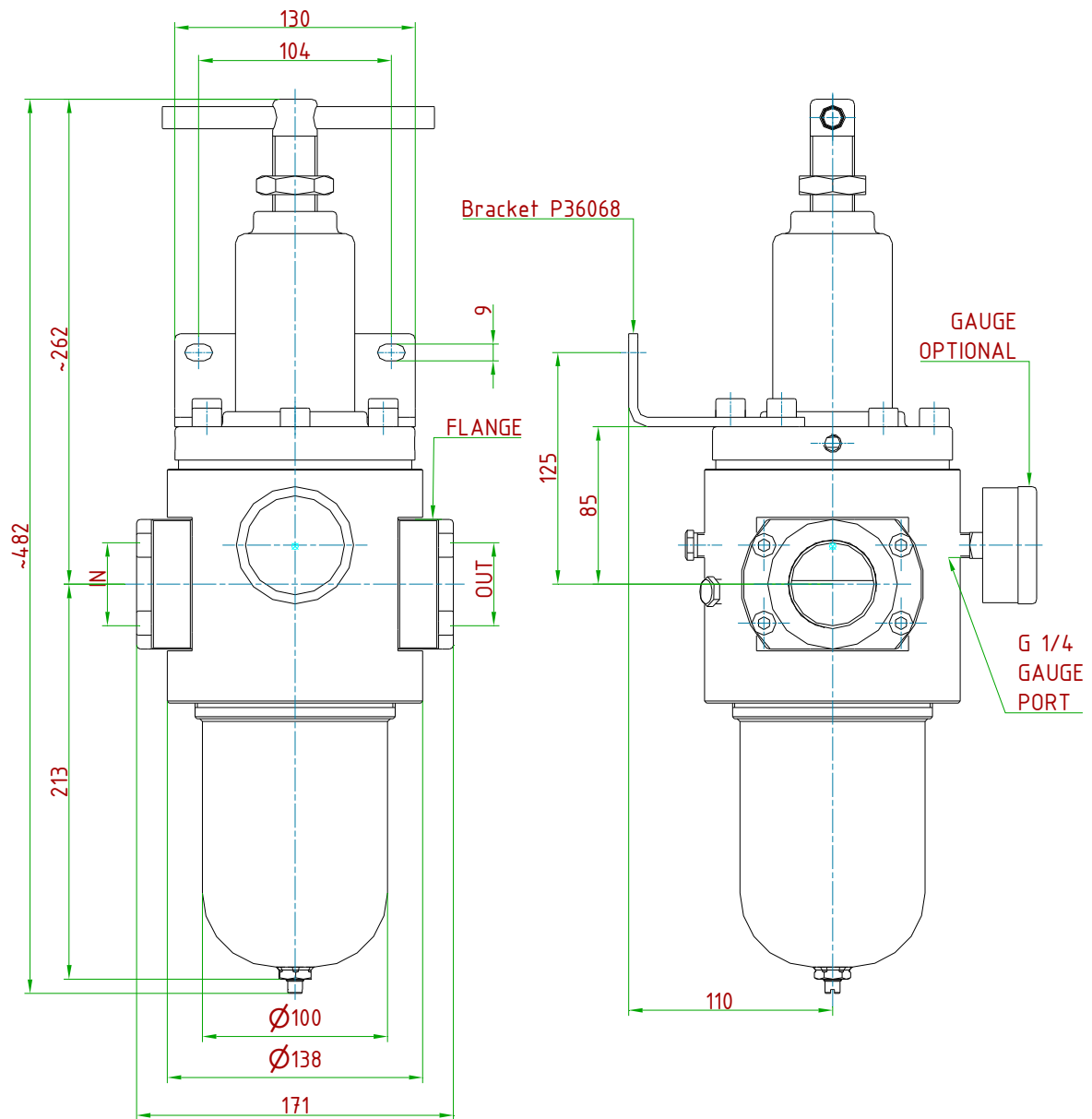
**H:** Filtration 50 µm

**I:** ID Insert Deal

**00:** No accessories

# technical drawings (all dimensions in mm)

Bracket to be ordered separately,  
Kit order number: M17310



| TYPE              | IN/OUT      | FLANGE |
|-------------------|-------------|--------|
| FR315M 1 1/2"GF   | G1 1/2-F    | P37062 |
| FR320M 2"GF       | G2-F        | P37063 |
| FR315M 1 1/2"NPTF | 1 1/2"NPT-F | P37066 |
| FR320M 2"NPTF     | 2"NPT-F     | P37067 |

P.out 0.2÷1.5/0.3÷3/0.8÷8/1.5÷15 bar

| PS [bar] | DRAIN     | GAS FILTRATION |           |
|----------|-----------|----------------|-----------|
|          |           | CARTRIDGE      | MATERIAL  |
| 16       | AUTOMATIC | 5 µm           | AISI 316L |
| 30       | MANUAL    | 5 µm           | AISI 316L |
| 50       | CAP       | 50 µm          | AISI 316L |

## **ID Insert Deal Srl**

Strada dei Boschi, 40  
20852 Villasanta (MB) Italia  
tel. +39 039 30 2035  
[info@idinsertdeal.com](mailto:info@idinsertdeal.com)  
[www.idinsertdeal.com](http://www.idinsertdeal.com)

ID Insert Deal si riserva il diritto di cambiare le specifiche del prodotto senza preavviso.  
ID Insert Deal reserves the right to change and/or modify product specifications without prior notice.

Insert Deal non si assume alcuna responsabilità per la scelta, uso e manutenzione di qualsiasi prodotto. La responsabilità per l'ideale scelta, uso e manutenzione di qualsiasi prodotto ID rimane interamente a carico dell'acquirente.

Insert Deal does not assume responsibility for selection, use and maintenance of any products. Responsibility for proper selection, use and maintenance of any ID products remains entirely to the purchaser.

Riproduzione vietata. Tutti i diritti riservati; nessuna parte del presente documento può essere riprodotta senza autorizzazione di ID Insert Deal Srl.  
Reproduction forbidden. All rights reserved; the hereby document can't be reproduced, also partially, without the authorization of ID Insert Deal Srl.

**FILTER REGULATOR\_473(FR315M-FR320M)\_EN\_02**



Azienda con sistema di gestione qualità certificato.  
certificato N° 50 100 9191  
Company with certificated quality management system.  
certificate N° 50 100 9191