

Solenoid Valve - Normally Closed - Cryogenic (-196°C)

Benefits & Features

- Installation in any position
- Suitable for cryogenic media to -196°C
- Brass or 316 Stainless Steel
- 1/4" BSP or NPT ports
- IP65, EExd IIB or EExd IIC versions
- Ex-d IIC -60°C to +60°C ambient versions
- ATEX, EAC Ex (CU TR 012) and IECEx, Ex-d approved



Specification

Configuration	Direct Acting
Port Sizes	1/4" BSP or NPT
Orifice	see data table below
Body	Brass or 316 stainless steel
Media	Cryogenics etc. Subject to material compatibility
Pressure ranges	See individual data tables below
Seals	PTFE -196°C

Technical Data

MODEL						Port Size BSP or NPT	Orifice mm	Body Rating Bar	Min. /Max. Operating Differential Pressures. BAR.			KV Flow Factor L/min.
	A	B	C	D	E				Min.	Maximum		
										AC	DC	
L88		20				1/4"	2	80	0	10	10	1.3
L88		70				1/4"	7	10	0	2.5	2.5	<i>tba</i>

Special model, ask for further details

Order Codes

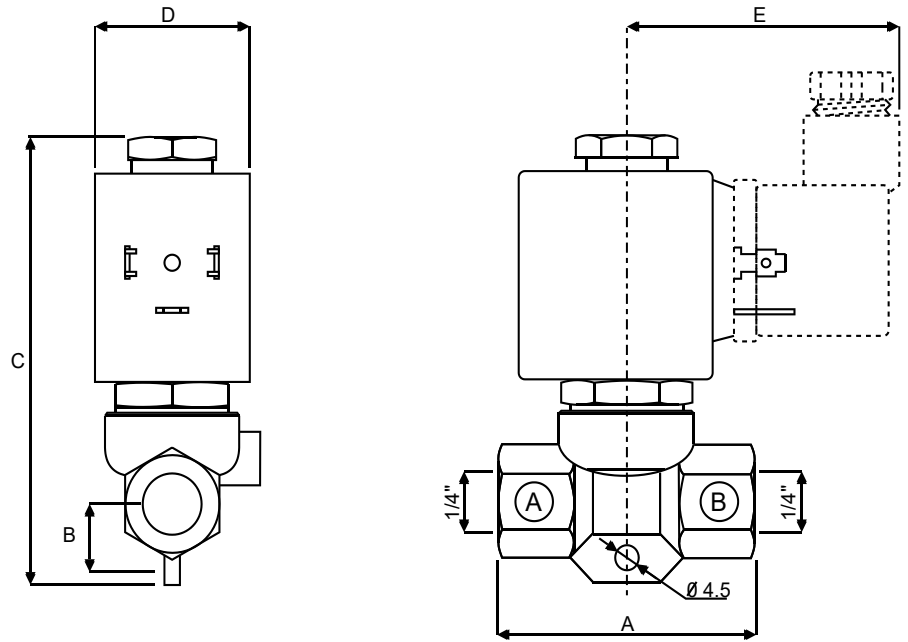
A	Body	B	Port	C	Seals (fluid temp. min / max)	D	Protection	E	Options
I	316 Stainless Steel	C	1/4" BSP	D	1/4" NPT	3	PTFE (-196°C)	P	IP65 Safe Area
T	Brass							/SG	Degreased for oxygen
								S	IP67 Safe Area
								B	II 1/2 GD Ex-d IIB T6 (-20 to +40°C)
								C	II 1/2 GD Ex-d IIC T6 (-20 to +40°C)
								/LT	II 1/2 GD Ex-d IIC T6 (-60 to +60°C)
								H	Ex-d c IIB IP67 IECEX
								T	Ex-d c IIC IP67 IECEX
								R	Ex-d IIC EAC Ex

Solenoid Valve - Normally Closed - Cryogenic (-196°C)

Weight & Dimensions

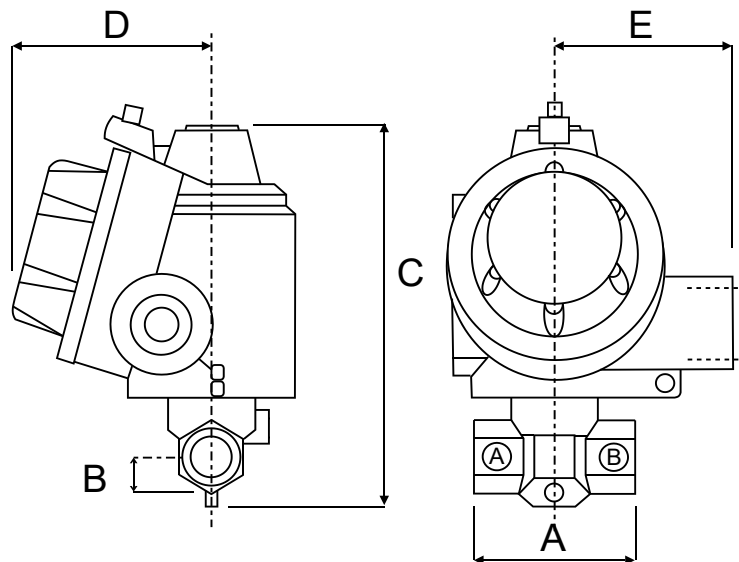
IP65 Safe Area

Weight Kg	Dimensions mm				
	A	B	C	D	E
0.3	50	10.5	84	36	54



EExd & IP67 Housing versions

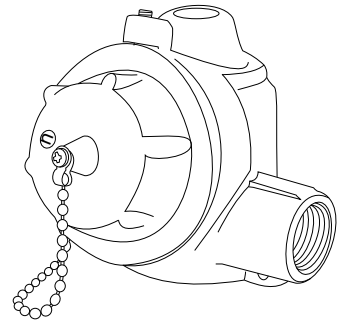
Weight Kg	Dimensions mm				
	A	B	C	D	E
0.3	50	10.5	115	60	54





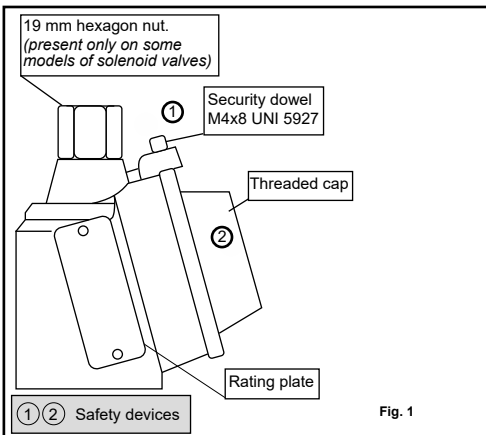
Electrical Wiring - IP67 Housing

Installation Procedures & Methods

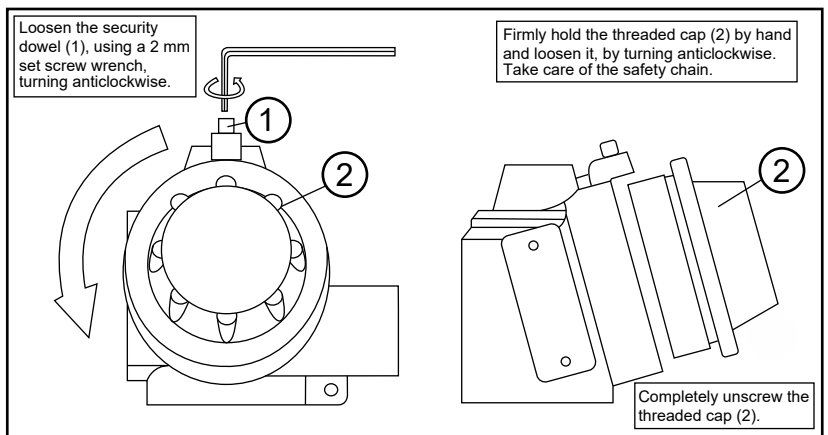


Attention: For safety purposes, always ensure that the power supply is disconnected. After de-energising, allow 15 minutes before continuing the following procedures

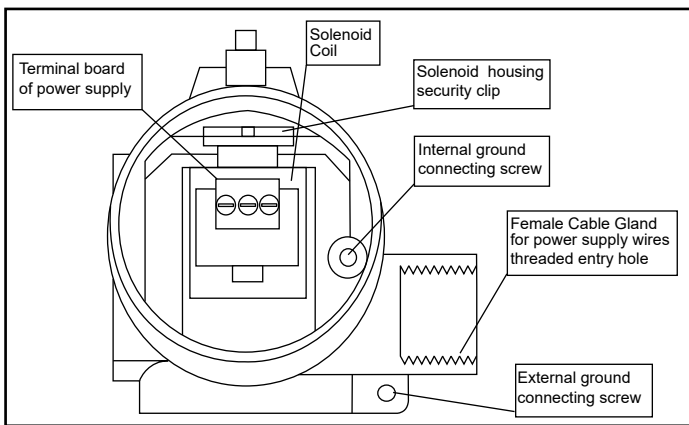
A



B

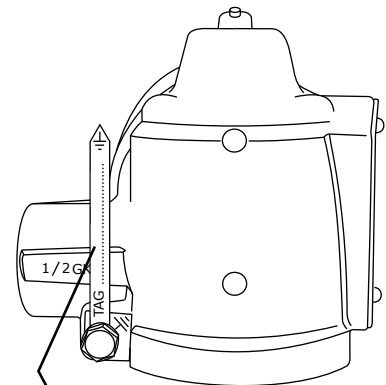
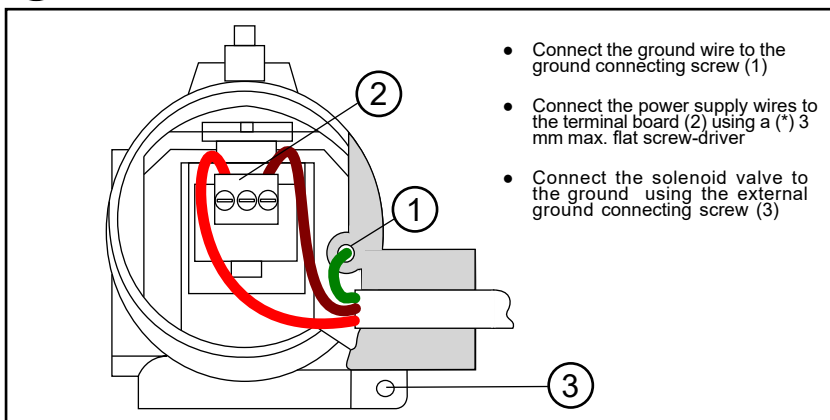


C



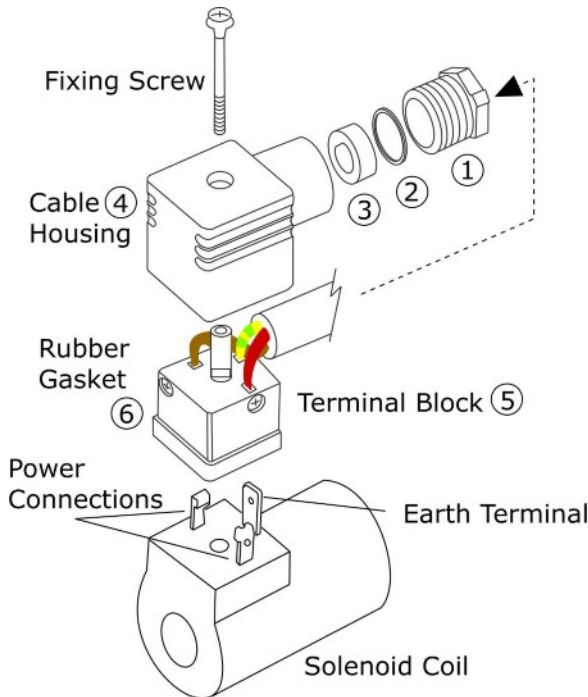
Pipe fittings used for cable entry (Cable, duct, conduit etc) are NOT supplied by the manufacturer. Installation engineers should ensure that the use of fittings are of the correct diameter and suitable to secure the tightness of the cable used. Where site conditions indicate, cable duct, conduit etc. must be ATEX approved, for a protection degree equal or greater than the protection degree indicated on the rating plate. The thread type is indicated on the housing: M20*1.5mm, 1/2"NPT or 1/2"GK

D



Earth Tag. Can be customised with Tag number, part number etc.

DIN electrical socket connectors to protect solenoid coil terminals and wiring.



Section 1: DIN Connector Assembly

- Insert the electrical power cable through the gland assembly (1,2,3)
- Push the cable through cable housing (4)
- Connect power and earth cables to terminal block 5
- Push terminal block (5) backwards, inside cable housing (4)
- Place rubber gasket (6) on terminal block (5) front face
- Push terminal block onto solenoid coil terminals
- Push fixing screw through complete assembly
- Tighten fixing screw with small screwdriver
- Do not over tighten
- Tighten cable gland (1,2,3) by hand

Section 2: How to install Solenoid Valves

Solenoid Valves can normally be installed and operate in any orientation. However, certain models are designed to operate in horizontal installations. Please contact Red Dragon for further information.

Installation Procedure:

Check that the Solenoid Valve is the correct product ordered for the application:

- Isolate the site electrical power supply
- Isolate the site media supply (dependant on the application)...air, water, steam etc. Leave until cool/safe.
- Insert the valve onto the pipe, ensuring that the flow direction is observed....IN for incoming media, or an arrow stamped on the valve body.
- Ensure that the pipe connections are free from burrs or loose pipe thread tape
- Tighten all pipe joints
- Connect electrical power supply via DIN electrical socket connector, as detailed in section 1
- Ensure that DIN connector is properly connected to solenoid coil and the gasket is installed correctly
- Apply media pressure and check for leaks

Section 3: Maintenance Procedure for Solenoid Valves

In the unlikely event of a valve malfunction, or routine maintenance, follow these instructions:

- Isolate the site electrical power supply
- Isolate the site media supply (dependant on the application)...air, water, steam etc.
- Remove the solenoid coil by unscrewing the coil retention nut anti-clockwise
- Remove the coil tube stem by unscrewing anti-clockwise
- Carefully remove the plunger assembly (inside the coil stem)
- Check the plunger assembly for damage or worn seals
- Check the face inside the coil stem for foreign particles that could prevent correct operation
- For Pilot Diaphragm Solenoid Valves: remove the top cover housing and check the diaphragm for damage and blocked transfer port.
- Re-assemble the valve in reverse order, ensuring that all parts are cleaned and assembled correctly